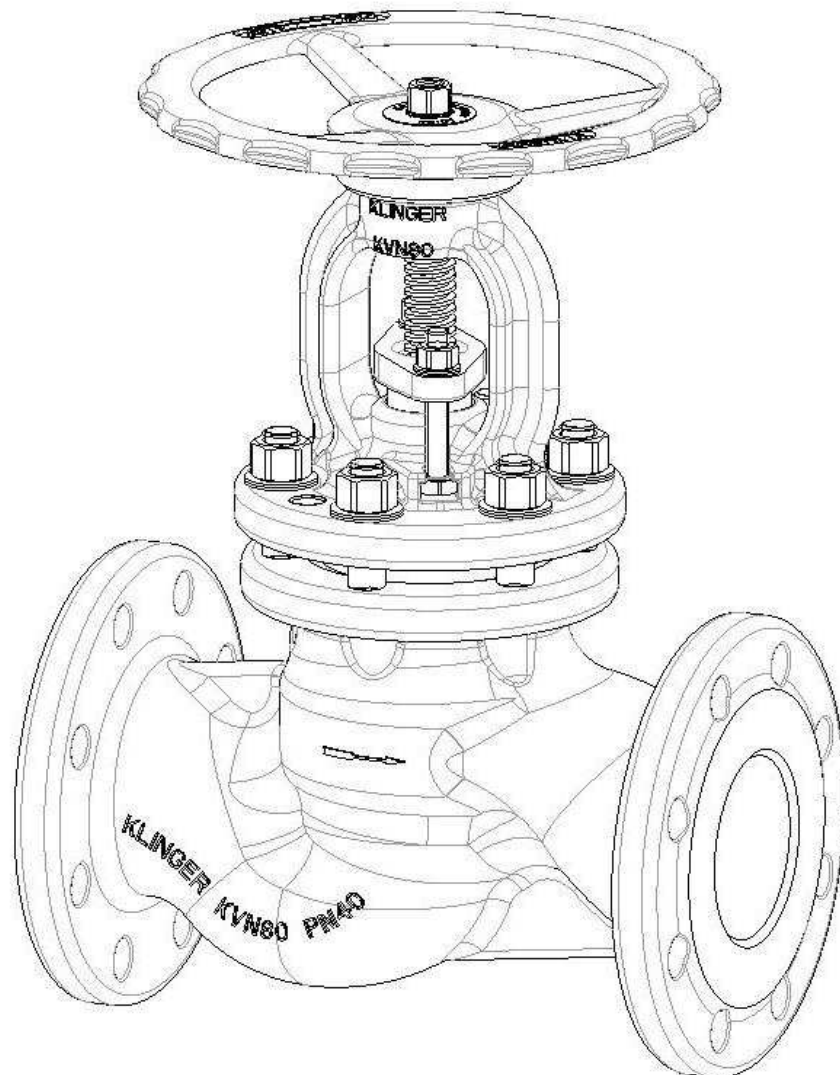


STANDARD OPERATION MANUAL FOR

KLINGER VALVES

PISTON VALVE KVN DN 65-200
PISTON VALVE KVN ANSI 2½"-8"
REGULATING VALVE KVRLN DN 65-200



Issued: 09/2017

KLINGER Fluid Control GmbH

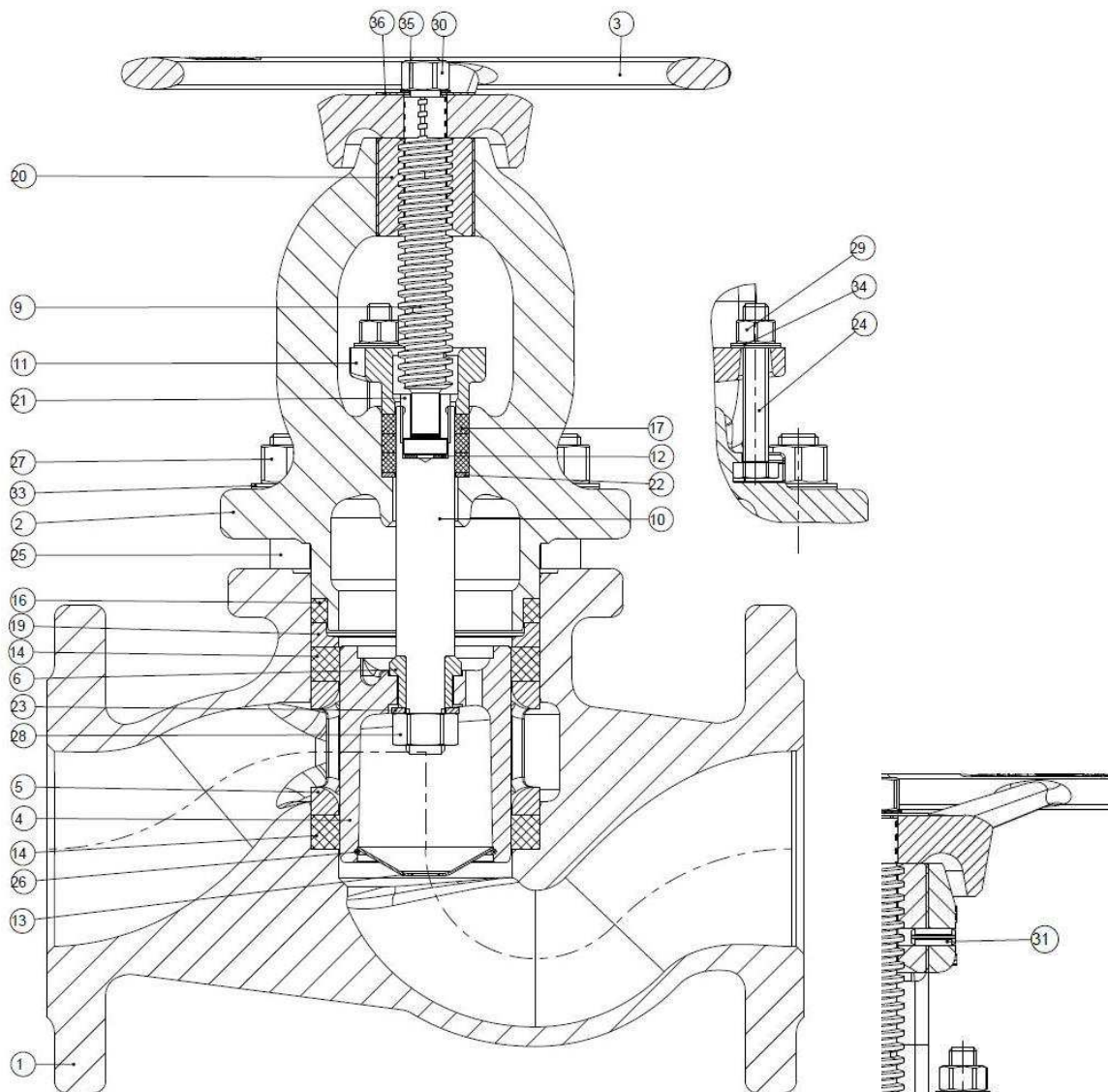
Am Kanal 8-10 » 2352 Gumpoldskirchen » Austria

office@klinger.kfc.at » www.klinger.kfc.at » Tel: +43 2252 600-0

Contents

1	Declaration of Conformity.....	3
2	Individual Parts Designation	4
3	Proper Use	5
4	Testing of KLINGER Valves	5
5	Labeling of the Valves	5
6	Safety Instructions	6
6.1	General Notes on Safety.....	6
6.2	Safety Instructions for Operators	6
6.3	Hazard Warnings.....	7
7	Technical Data.....	9
7.1	Material codes.....	9
7.2	P/T Diagrams	9
7.3	Tightening Torques	11
7.4	Table of Weights	11
8	Transportation and Storage	12
9	Operating Principle and Mode of Operation.....	12
10	Installation and Putting into Service Regulations	13
11	Service and Maintenance.....	14
11.1	Disassembly for Valve Ring Replacement	15
11.2	Checks during Valve Ring Replacement	15
11.3	Bonnet Disassembly and Assembly	16
11.4	Valve Ring Installation and Assembly	17
11.5	Standard Lubricants	17
12	Conversion of an on/off Valve to a Control Valve	18
12.1	Conversion instruction	18
13	Actuator Mounting	19
13.1	Fitting the Actuator	19
14	Spare Parts List	20
14.1	Special tools	22
15	Disposal	22

2 Individual Parts Designation



- | | | | |
|----|-----------------------|----|-----------------------------|
| 1 | Body | 21 | Split nut |
| 2 | Bonnet | 22 | Washer |
| 3 | Handwheel | 23 | Disc |
| 4 | Piston | 24 | Hex head screw |
| 5 | Lantern bush | 25 | Stud bolt |
| 6 | Back seat | 26 | Securing ring |
| 9 | Spindle | 27 | Bonnet securing nut |
| 10 | Piston shaft | 28 | Hex nut notched |
| 11 | Gland retainer | 29 | Gland retainer securing nut |
| 12 | Disc | 30 | Hex nut |
| 13 | Piston nose cone | 31 | Tension pin |
| 14 | Valve ring | 33 | Belleville washer |
| 16 | Bonnet valve ring | 34 | Belleville washer |
| 17 | Stuffing box ring set | 35 | Serrated lock washer |
| 19 | Thrust piece | 36 | Type plate |
| 20 | Threaded bush | | |

3 Proper Use

This product is exclusively intended to shut off or convey media within the approved pressure and temperature limits after installation in a pipeline system. Please see the P/T diagram (pressure temperature diagram) for the permissible threshold values in accordance with the utilized materials. This operating manual must unconditionally be brought to the attention of the corresponding personnel!

Prior to installation and putting into service for the first time, please read the operating manual carefully and pay attention to the hazard and safety notes!

! CAUTION	<p>Non-compliance with the hazard and safety notes of this operating manual may result in the creation of hazards and loss of the manufacturer's warranty.</p> <p>Please contact the manufacturer under +43 2252 600-0 for further details.</p>
----------------------------	--

Subject to technical alterations and misprints!

4 Testing of KLINGER Valves

KLINGER Valves are pressure-tested in accordance with EN 12266-1. The pressure test comprises the tests P10, P11 and P12. Testing the resistance to pressure of the piston (P20) is not included in the standard package.

5 Labeling of the Valves

Each valve is provided with the following data listed either on the body or on a type plate.

	Designation	Comment
Manufacturer	KLINGER	Please see the operation manual for the address
Model	e.g. KVN	Manufacturer's type designation
Size	DN and numeric value	Numeric value in mm, e.g. DN 80 or in inch, e.g. 3"
PN / class	Numeric value for PN / class	Provides the max. permissible pressure at ambient temperature, e.g. PN 40
FA-No.	Numbers / letters	FA-No. serves identification purposes
Material	e.g. 1.0619 or VIII	In accordance with material codes
	CE	Market approval symbol

6 Safety Instructions

This operation manual must be brought to the attention of the operating personnel.

6.1 General Notes on Safety

The safety instructions for valves also apply to the pipeline systems, into which they are installed. This operating manual exclusively focuses on safety instructions, which are to be additionally complied with for valves.

6.2 Safety Instructions for Operators

<p style="text-align: center;">! Danger to Life</p>	<p>A valve with a permissive pressure/temperature range that is not sufficient for the operating conditions may not be operated! This range is to be derived from the P/T diagram. With regard to materials, pressures or temperatures not listed there, contacting the manufacturer is mandatory. Ignoring this regulation can result in life-threatening situations and can cause damage to the pipeline system.</p>
<p style="text-align: center;">! Danger to Life</p>	<p>It must be ensured that materials selected for the parts coming into contact with the media are suitable for the utilized media. The manufacturer takes no responsibility for damages resulting from corrosion or through aggressive media. Ignoring this regulation can result in life-threatening situations and can cause damage to the pipeline system.</p>

The following items do **not** lie in the scope of responsibility of the manufacturer. As a consequence, when utilizing the valve, it must be ensured that

- » the valve is only utilized in accordance with its proper use, as illustrated under "Proper Use".
- » the actuator unit, which is subsequently mounted on the valve, is adjusted to the valve and correctly adjusted in the end position.
- » when connecting a valve actuator to the power grid, the safety notices of the actuator manufacturer are complied with.
- » the valves are correctly implemented into the system, especially those connected to the pipeline system by means of welding.
- » no additional tensions bear on the valves.
- » the operation parameters and operating conditions have been clarified with the manufacturer of the valve and that operating conditions such as vibrations, water hammers, pressure surges, erosion etc. are to be avoided.
- » pipeline system connections and valves, which are operated at operating temperatures $> 50\text{ °C}$ or $< -20\text{ °C}$, are protected against contact.
- » during welding procedures, the safety regulations of the plant operator and/or plant constructor are to be complied with.
- » the valve is only operated and maintained by trained personnel.
- » valves, which are utilized with hazardous media (flammable, corrosive, harmful to health etc.), are to be handled in accordance with their dangers. The corresponding handling regulations are the responsibility of the plant operator.
- » all ergonomic hazards are to be considered by the plant operator, such as e.g. accessibility, gauges etc.

- » when applying internal pressure for the first time (pressure test, trial operation) a sufficient safety distance is to be maintained.
- » it is prohibited to open screw connections (with the exception of those on hand levers and handwheels), when pressurized (medium).
- » installation and removal of valves is only carried out with a depressurized and drained pipeline.
- » all connections, following loosening, are again correctly tightened afterwards.
- » no screws are loosened on pressure-retaining parts, unless described so in the operation manual.
- » no screwed connections are forcibly opened.
- » during longer shutdown periods, in the event of freezing media, the valve is drained and/or that depressurization is achieved in case of expanding media.

6.3 Hazard Warnings

Mechanical hazards:

- » Beware of possible sharp or protruding parts posing risk of injury.
- » Extra care is required during putting into operation: Do not reach into the bore opening during the valve closing process, as this poses a risk of injury.
- » Be careful of falling parts during transportation, maintenance and putting into operation.
- » When manipulating lifting appliances, the safety regulations for lifting appliances must be complied with.
- » Unauthorized and improper handling can result in undesired and spontaneous pressure loss and can result in significant damage.
- » With regard to valves featuring a mounting bracket it must be ensured that moving valve parts do not result in a risk of injury.

Electrical hazards:

- » With regard to valves featuring electric actuators, the operating manual and the safety instructions of the actuator manufacturer must be complied with.

Thermal hazards:

- » During operation, the surfaces of valves may feature high / low temperatures. Caution: Burn hazard.
- » Caution: The hot surfaces can cause self-ignition of flammable materials through either contact or heat emission.

Hazard generated by noise:

- » Depending on the application conditions, high levels of noise can be created by the cavitation processes, which bear the risk of hearing damage.
- » Opening an internally pressurized valve can result in major noise exposure as a result of exiting media; hearing damage hazard.

Vibration hazard:

- » Caution: Abrupt opening or closing of a valve can lead to undesired surges and vibrations in the pipe, which may possibly damage the valve or the pipeline system.

Electromagnetic radiation hazard:

- » The hazards resulting from possibly created electromagnetic radiation are to be consulted in the operating manual of the actuator manufacturer.

Hazards linked to the operational environment:

- » The ambient atmosphere and the ambient temperature are to be set in a manner that has no negative influence on the valve, the actuator of the valve, and the medium.

Transportation hazards:

- » Please see the chapter “Transportation and Storage” for transportation hazards.

Maintenance hazards:

- » All maintenance and repair tasks with the exception of lubricating and subsequent sealing of stuffing boxes and valve rings are without exception to be carried out in an unpressurized state. Where required, the valve may have to be drained prior to servicing.
- » Valves may only be removed from pipeline systems in an unpressurized and empty state.
- » Attention must be paid to exiting media when resealing.
- » Caution: (Fire and chemical) burn hazard and risk of poisoning caused by valves utilized in dangerous media. Attention must be paid to medium residues during maintenance and putting into operation tasks.
- » Maintenance and repairs may only be carried out by qualified personnel.

Placing out of operation hazards:

- » When placing out of operation, the valves must be emptied fully and attention must be paid to hazards resulting from medium residue.
- » Should valves be no longer used, they are to be disposed of correctly.

Material failure hazard:

- » Parts made of grey cast iron are especially sensitive to brittle fracture and impact. This aspect must be considered in the course of material selection.

7 Technical Data

7.1 Material codes

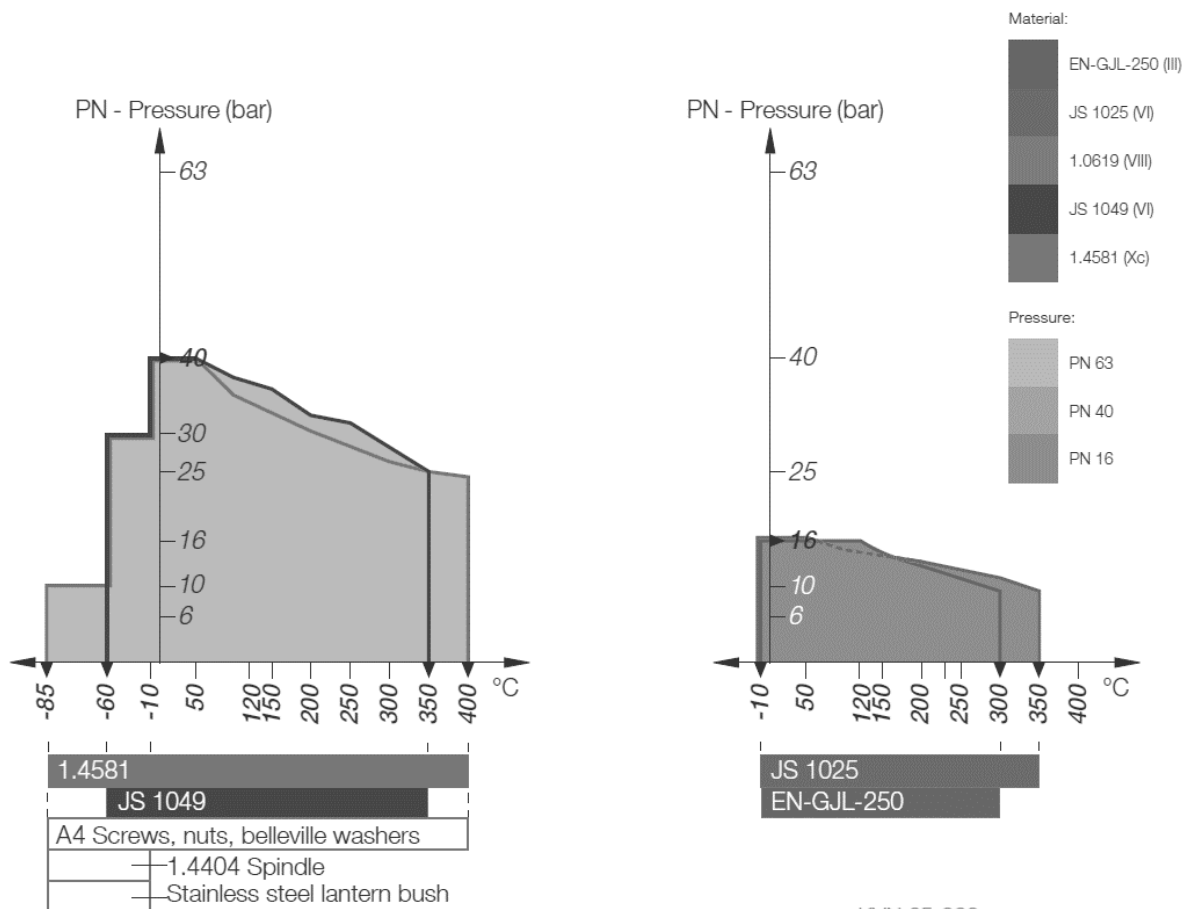
The main criterion of the material codes is the basic material of the body.

Symbol	Body	Interior Parts
III	Grey cast iron	Without nonferrous metal parts
IV	Brass	Nonferrous metal parts possible
VI	Spheroidal cast iron	Without nonferrous metal parts
VII	Cast steel	Nonferrous metal parts possible
VIII	Cast steel	Without nonferrous metal part
X	Stainless steel	Parts coming into contact with the medium are acid-resistant
Xc	Stainless steel	All parts acid-resistant

The above table may also contain material codes unavailable for this product.

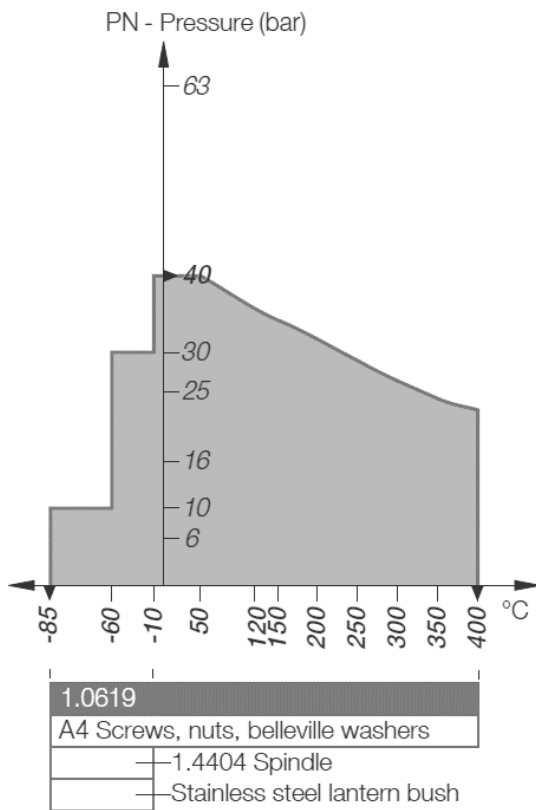
7.2 P/T Diagrams

The applicable maximum limitations of use regarding pressure and temperature are defined by their mutual interdependency. A P/T diagram is an ideal tool in order to select a suitable valve for pre-defined operational characteristics.

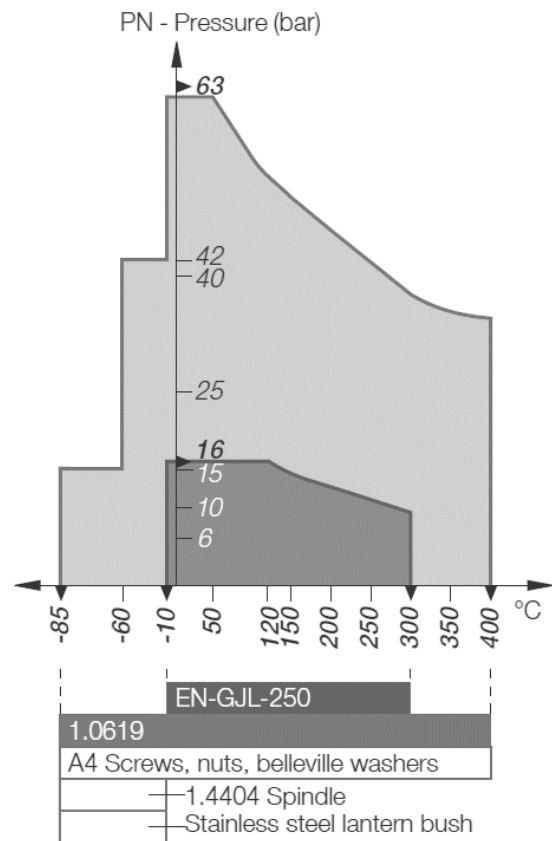


KVN 15-50
Material codes VI, Xc

KVN 65-200
Material codes III/VIII, VI/VIII



KVN 15-200
Material codes VIII



KVMN 1/2"-2" (III,VIII)
KVSN 1/2"-2"/15-50 (VIII)
KVN 15-150 (III)

CAUTION	The diagrams illustrate all possible limitations of use of KLINGER valves. The area of application for standard valves is from -10 °C up to +400 °C.
----------------	---

7.3 Tightening Torques

The values provided below are approximations and valid for lubricated stud bolts and nuts. Valves, which have already been in operation over longer periods of time, and already show wear and tear on the sealing surfaces and/or are not tight at higher pressures due to gaseous media, can be made tight again by retightening the bonnet securing nut (Pos. 27). The tightening torques may only be exceeded by max. 40 % in such cases.

Bonnet securing nut (Pos. 27)			
Nominal size	Stud bolt		Tightening torque (Nm)
	Dimension	Pcs.	KX-GT
65 / 2 ½"	M 16 x 55	4	25
80 / 3"	M 16 x 55	6	20
100 / 4"	M 16 x 60	8	25
125	M 20 x 75	6	25
150 / 6"	M 20 x 75	8	25
200 / 8"	M 24 x 75	8	50

Gland retainer securing nut (Pos. 29)			
Nominal size	Hex nut		Tightening torque (Nm)
	Dimension	Pcs.	KX-GT
65 - 200 / 2 ½" - 8"	M 10 x 65	2	15

Handwheel nut (Pos. 30)			
Nominal size	Nut		Tightening torque (Nm)
	Dimension	Pcs.	
65 - 200 / 2 ½" - 8"	M12	1	12

7.4 Table of Weights

Nominal size	Weight
65 / 2 ½"	25.5 kg
80 / 3"	33 kg
100 / 4"	46 kg
125	72.5 kg
150 / 6"	102.5 kg
200 / 8"	178 kg

8 Transportation and Storage

Check the shipment immediately upon receipt for completeness of delivery and transport damage. Furthermore, it should be ensured that the valves and possibly mounted actuators have not been damaged during transport. Please also check that the supplied valves (types, nominal sizes etc.) correspond with the order. KLINGER Fluid Control is to be notified immediately of any kind of deviations. Regarding damage obviously resulting from transportation, please contact the freight forwarder in charge of delivery.

Valves and valve replacement parts may only be stored in dry storage areas. Fully assembled valves must be stored in the condition as supplied to the customer (valve in CLOSED position, connections covered with protective caps). Valve replacement parts must be handled with care and should remain as packaged by the factory during storage.

- » Storage in the default factory packaging.
- » The valves are to be stored in closed rooms, in a non-aggressive atmosphere, and protected against humidity and contaminants.
- » In the event that protective sheeting or shrinking foils are used, it must be ensured – through adequate measures – that the atmosphere within the covers remain free of condensation.
- » Corresponding protective measures are recommended for storage in dusty rooms.
- » In order to avoid mix-ups, all stored parts should be labeled in accordance with the shipping notes and stored in the correct place.
- » The temperature in the storage rooms should not exceed the limits -20 °C and +50 °C. Rapid temperature changes are to be avoided whenever possible (condensate water).
- » Possible changes originating from KLINGER Fluid Control and having an impact on storage will be announced in a timely manner in the form of a circular.
- » The operation manual is part of the delivery and must be stored with the item. This ensures that all important information and documents can be passed on.
- » Lift lines suitable for the weight and the lifting aids on the valve (to the extent present) are to be used for manipulation purposes.

Damages resulting from incorrect storage or manipulation free KLINGER Fluid Control from any obligations derivable from the warranty, guarantee and product liability.

9 Operating Principle and Mode of Operation

Piston valves are closed clockwise and opened counterclockwise. Care should especially be taken during the closing process, i.e. the handwheel should be turned until it rests against the bonnet. As opposed to globe valves, piston valves require no increased end torque. As a result of the construction of piston valves, it is possible to achieve tightness prior to reaching the CLOSED position. In order to protect valve rings from taking damage, piston valves must always be closed as far as they will go.

10 Installation and Putting into Service Regulations

Piston valves can be installed into the pipe system in any given orientation. The preferred flow direction, however, should be taken into consideration in this context.

This series of piston valves is equipped with a pressure compensated piston and therefore does not show any piston pump effect.

In order to protect against impurities and damage, the connections of the valves are covered. We recommend removal of these covers only prior to installation.

The spindle of the valve must be protected against dirt in order to avoid premature wear and tear of the trapezoid thread.

Valves with welding ends may generally be welded into a pipework by means of fusing welding procedures. In this context, the welding and quality requirements and their norms are to be complied with. As a consequence, welding may only be carried out by qualified personnel. The safety regulations of the plant operator and/or the plant manufacturer are also to be complied with.

Installation of valves with flange ends may only be carried out by qualified personnel in accordance with EN 1591. It must in this case be observed that no additional tension is exerted on the valve, such as for example as the result of selecting a too large distance between the to be bolted flanges.

Should the pipe and the valve be insulated, then insulation should only reach up to the body-side top flange. This ensures accessibility of the bonnet securing nuts and allows for the valve body to remain in the pipe during repair and maintenance work, necessitating only the removal of the bonnet.

Following installation and prior to putting into service, it must be ensured that solids and impurities, which are not part of the medium, have been removed from the pipeline system and/or from the facility. A pressure and a function test must be carried out prior to putting into operation

When opening the valve, care should be taken to ensure that, after having reached the end position, the handwheel must be again turned clockwise between $\frac{1}{2}$ to a full rotation in order to avoid jamming of the piston in the body.

Prior to putting into service of valves in steam pipes, proper condensate draining must be ensured in order to avoid steam hammer hazards. In extreme cases, a steam hammer may lead to breaking of the valve. Rapid increases in temperature and pressure are to be avoided during all operation phases (start – operation – shutting down).

The maximum permissible test pressure is $1.1 \times PN$ if the piston valve is in a closed state. The valve must be open when testing the pipe pressure ($1.5 \times PN$).

11 Service and Maintenance

Maintenance and inspection intervals are to be determined by the operator dependent on the operating mode, as these valves can be utilized under a number of different operating conditions. Maintenance and inspection work may only be carried out by trained personnel.

Prior to the start of service and maintenance work, it must be ensured that the pipeline system is depressurized and that no medium residues are contained within.

Should a valve become leaky, the tightening torques of the bonnet securing nuts must be compared to the tightening table. Retightening may be necessary. Prior to doing so, the valve must be brought into the CLOSED position.

Care should be taken to keep the spindle thread sufficiently lubricated at all times. Please refer to chapter 11.5 for suitable lubricants.

In the event that the spindle thread shows a high degree of wear the valve should be depressurized and maintenance carried out.

When removing an actuator, it is necessary to protect it against rotation prior to loosening of the connecting screws.

11.1 Disassembly for Valve Ring Replacement

- » Depressurize and purge pipe
- » Fully open piston valve
- » Unscrew and remove bonnet securing nuts (Pos. 27) and belleville washers (Pos.33)
- » Rotate the handwheel (Pos. 3) clockwise (closing direction) until the bonnet is moved out of the body and the bonnet flange is situated above the stud bolts
- » Now slightly twist the bonnet (Pos. 2) so that the bonnet flange is braced on the stud bolt faces (Pos. 25). Rotate the handwheel counterclockwise (opening direction), until the piston (Pos. 4) is fully pulled out of the upper valve ring (Pos. 14) (see Figure 1)
- » Remove the bonnet with the handwheel, spindle and piston
- » Pull out the thrust piece (Pos. 19) and the bonnet valve ring (Pos. 14) by means of a ring extractor hook (see Fig. 2)
- » Pull out the lantern bush (Pos. 5) by means of a lantern bush drawer without damaging the surface of the body's bore (see Fig. 3)
- » Pull out the lower valve ring (Pos. 9) by means of a ring extractor hook without damaging the surface of the body's bore
- » Clean the bore of the body and the valve ring seat

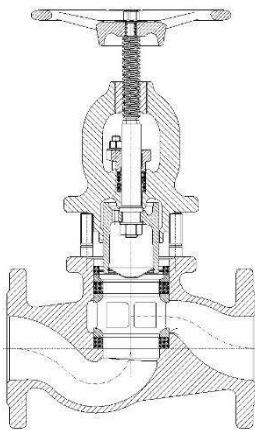


Figure 1

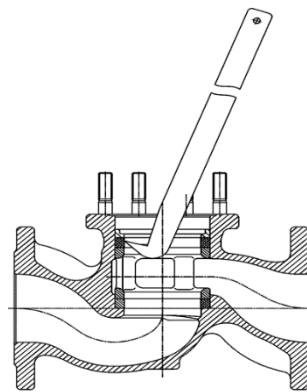


Figure 2

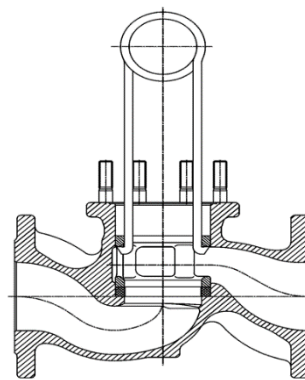


Figure 3

11.2 Checks during Valve Ring Replacement

! CAUTION

The elements of the bonnet (piston, spindle, thread and bonnet) must always be examined with regard to their correct function during the course of valve ring replacement.

- » The surface of the piston must be smooth and not display any score marks.
- » The spindle head must be easy to turn in the split nut.
- » The trapezoid thread of the spindle may not display too much wear.
- » The clearance between the spindle thread and the thread of the bonnet and/or the threaded bush may not be unnaturally large.

Should no components require replacement, the trapezoid thread and the bonnet throat must be lubricated prior to assembly of the valve.

11.3 Bonnet Disassembly and Assembly

! CAUTION	All individual parts, especially the sealing surfaces, must be thoroughly inspected prior to assembly. Damaged parts must be replaced with new parts. Visible dirt on the machined parts must be removed.
---------------------	---

! CAUTION	Special care must be taken to avoid the KX-GT rings being inserted into the bore if they become jammed with the mounting tool.
---------------------	--

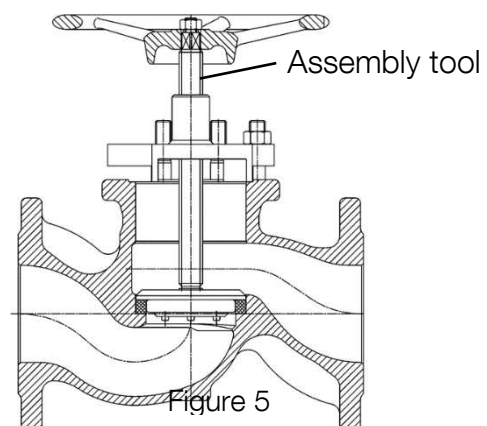
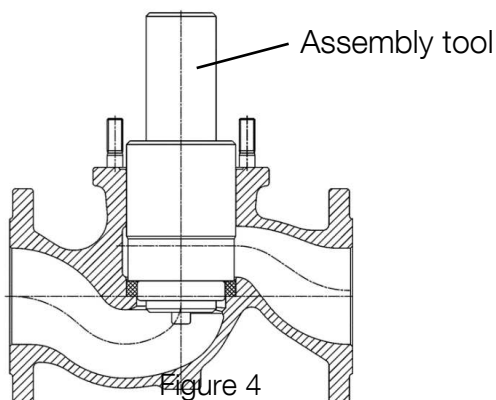
- » Remove valve ring (Pos. 16) from the bonnet
- » Loosen handwheel securing nut (Pos. 30)
- » Remove serrated lock washer (Pos. 35) and handwheel (Pos. 3)
- » Remove hex nut (Pos. 29) and Belleville washers (Pos. 34) and lift the gland retainer (Pos. 11)
- » Screw out spindle (Pos. 9) of the threaded bush (Pos. 20)
- » Pull out the piston shaft with the spindle downwards out of the stuffing box ring set (Pos. 17)
- » Tap out the stuffing box ring downwards via the securing ring (Pos. 22), without damaging the surface of the body's bore, clean the bore
- » In the event that the threaded bush displays damage, the bonnet must be secured in a vise and the tension pins (Pos. 31) knocked out from the outside inwards
- » Unscrew the threaded bush
- » Screw the new threaded bush in, drill holes and pin
- » Place washer (Pos. 22) in the stuffing box drilling, position stuffing box ring set (Pos. 17) and press in by using the gland retainer (Pos. 11) and remove gland retainer afterwards
- » Place gland retainer, mount Belleville washers and slightly bolt hex nuts (Pos. 7) but do not tighten them
- » Secure the assembly of the piston (piston, piston shaft, spindle) at the piston shaft (Pos. 7) in a vise under utilization of soft brackets
- » Disassemble the securing rings (Pos. 26) and piston nose cone (Pos. 13) from the piston
- » Screw off hex nuts (Pos. 28) (**left-handed** thread) and remove disc (Pos. 23), piston and back seat (Pos. 6)
- » Loosen split nut (**left-handed** thread) (Pos. 21) and remove disc (Pos. 12) from the piston shaft
- » Replace damaged parts with new parts
- » Installation of the spindle (Pos. 8) and disc (Pos. 17) into the piston after thorough lubrication of the spindle head
- » Insert the back seat (Pos. 6) in the piston and fit both on the piston shaft, after thorough lubrication of the piston plug
- » Bolt piston onto piston shaft with disc (Pos. 23) and hex nut (Pos. 28)
- » Place piston nose cone (Pos. 13) in the piston and mount with the securing ring (Pos. 26)
- » Insert the assembly of the piston (piston, piston shaft, spindle) from below in the stuffing box set and screw spindle into threaded bush after thorough lubrication
- » Mount hex nuts (Pos. 29) of the gland retainer by applying tensioning torques as provided in the table
- » Mount handwheel and serrated lock washer
- » Mount handwheel nut by applying tensioning torque as provided in the table

11.4 Valve Ring Installation and Assembly

! CAUTION	All individual parts, especially the sealing surfaces, must be thoroughly inspected prior to assembly. Damaged parts must be replaced with new parts. Visible dirt on the machined parts must be removed.
---------------------	---

! CAUTION	Special care must be taken to avoid the KX-GT rings being inserted into the bore if they become jammed with the mounting tool.
---------------------	--

- » Installation of the lower valve ring into the body by means of KX-GT assembly tool. Do not use any grease or lubricant (DN 65/ 80/ 100 see Fig. 4, DN 125/ 150 / 200 see Fig. 5)
- » Insertion of the cleaned lantern bush. Ensure that no lantern bush root face rests on the valve output side in order to achieve an optimized K_v -value
- » Installation of the upper valve ring by means of KX-GT assembly tool. Note that no grease or lubricant may be used here, either
- » Insert the thrust piece (Pos. 19)
- » Press in the valve ring (Pos. 16) into the body's bore with assembly tools
- » Take the bonnet and screw out spindle until it recedes no further (turn handwheel left)
- » Position bonnet (Pos. 2) on the valve body, after thorough lubrication of the neck of the bonnet. Hammer it down with a plastic hammer until there is enough supernatant of the stud bolt (Pos. 25) above the bonnet flange for the screwing of the bonnet securing nuts (Pos. 27)
- » Fit belleville washers (Pos. 33) and screw on hex nuts (Pos. 27) with a few convolutions
- » Now fully close and reopen valve (during the opening process the bonnet recedes into the body)
- » Retighten hex nuts
- » Now fully close valve (turn handwheel right)
- » Tighten hex nuts in accordance with tightening torques provided in table
- » Function test



11.5 Standard Lubricants

The standard lubricant used to lubricate the thread in piston valves has the designation "GLEIT- μ HP 506 Hochleistungspaste".

12 Conversion of an on/off Valve to a Control Valve

The difference between a KVN piston valve and a KVRLN control valve is the lantern bush. The control lantern bush features a defined geometry, which results in an almost linear flow curve and simplifies the control of media flows.

Due to the fact that the sealing system of control valves corresponds to that of piston valves, the shut-off function is also present in the bore.

The advantage of using the same sealing components lies in the fact that it enables the conversion of an installed piston valve – requiring only the exchanging of the lantern bush – into a control valve.

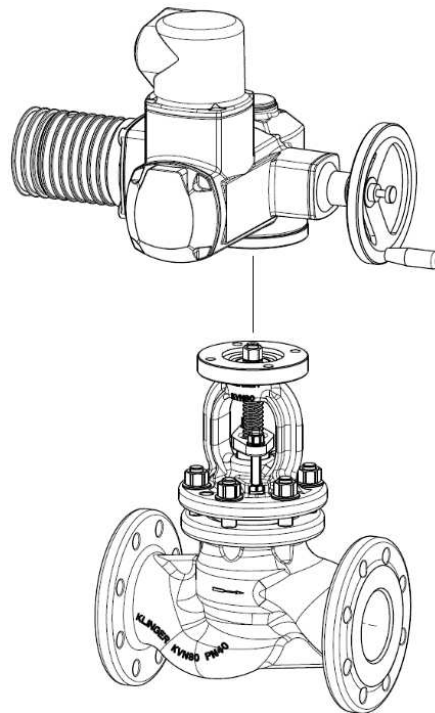
12.1 Conversion instruction

- » Depressurize and purge pipe
- » Fully open piston valve
- » Screw off bonnet securing hex nuts (Pos.27) and remove belleville washers (Pos.33)
- » Turn handwheel (Pos. 3) clockwise (closing direction) until bonnet is moved out of the body and bonnet flange is located above the stud bolts
- » Subsequently lightly turn bonnet (Pos. 2) out of position, so that the bonnet flange can rest on the stud bolt faces (Pos. 25). Turn the handwheel counterclockwise (opening direction) until the piston (Pos. 4) is fully pulled out of the upper valve ring (Pos. 14) (see Fig. 1)
- » Remove bonnet with the handwheel, spindle and piston and remove valve ring (Pos. 16) from the bonnet
- » Remove the thrust piece (Pos. 19) and upper valve ring (Pos. 14) by means of a ring extractor hook (see Fig. 2)
- » Remove the lantern bush (Pos. 5) by means of a lantern bush drawer without damaging the surface of the body's bore (see Fig. 3)
- » Remove the lower valve ring (Pos. 9) by means of a ring extractor hook without damaging the surface of the body's bore
- » Clean the bore of the body and the valve ring seat
- » Installation of the lower valve ring into the body by means of KX-GT assembly tool. Do not use any grease or lubricant ((DN 65/DN 80/DN 100 see Fig. 4, DN 125/DN 150/DN 200 see Fig. 5)
- » Insertion of the control lantern bush. Ensure that no lantern bush root face rests on the valve output side in order to achieve an optimized K_v -value
- » Installation of the upper valve ring by means of KX-GT assembly tool. Note that no grease or lubricant may be used here, either
- » Insert thrust piece (Pos. 19)
- » Press in the new valve ring (Pos. 16) into the body's bore by means of assembly tools
- » Take the bonnet and screw out spindle until it recedes no further (turn handwheel left)
- » Position bonnet (Pos. 2) on the valve body, after thorough lubrication of the neck of the bonnet. Hammer it down with a plastic hammer until there is enough supernatant of the stud bolt (Pos. 25) above the bonnet flange for the screwing of the bonnet securing nuts (Pos. 27)
- » Place belleville washers (Pos. 33) and screw on hex nuts (Pos. 27) with a few convolutions

- » Now fully close and then reopen valve (the bonnet recedes into the body during the opening process)
- » Retighten hex nuts
- » Fully close valve (turn handwheel right)
- » Tighten hex nuts in accordance with tightening torques provided in table
- » Function test

13 Actuator Mounting

The actuator is to be executed with a torque in accordance with the nominal size. The values are to be defined with the manufacturer following a technical query (pressure, sealing material, media etc.).



13.1 Fitting the Actuator

When fitting actuators, the requirements of the actuator manufacturer have to be mandatorily complied with. The manufacturer assumes no liability for damage resulting from improper actuator installation. In case of doubt, it is recommended to discuss every actuator installation with the manufacturer of the actuator and the valve. Installation work may only be carried out by qualified personnel.

- » Bring piston valve into the „CLOSED“ position
- » Place the actuator in the correct positional arrangement and screw together
- » Set the end positions
- » Function test

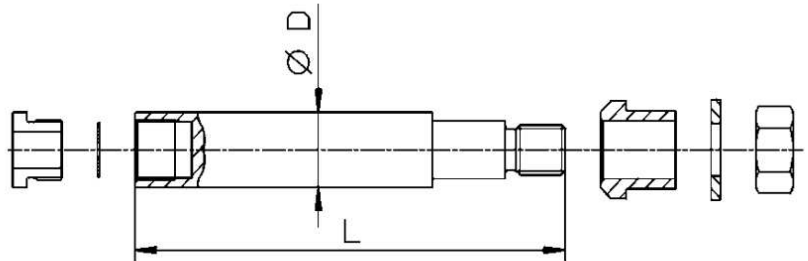
! CAUTION	With regard to electrical actuators, it must be ensured that the end positions are limited by the path end switches and not by the torque end switches.
---------------------	---

! CAUTION	The valve is closed clockwise. It is to be ensured that the movement is precisely complied with in its OPEN-CLOSED end positions.
---------------------	---

14 Spare Parts List

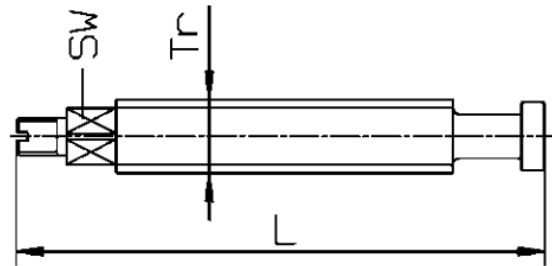
Spare parts set: Piston shaft complete

Nominal size	D	L
65 / 2 1/2"	24	130.5
80 / 3"	24	142.5
100 / 4"	30	183
125	30	206
150 / 6"	30	206
200 / 8"	30	240



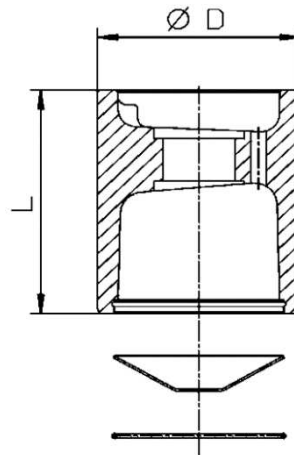
Spindle

Nominal size	Tr	L	SW
65 / 2 1/2"	22 x 5	163	14
80 / 3"	22 x 5	163	14
100 / 4"	24 x 5	180	14
125	24 x 5	218	14
150 / 6"	24 x 5	218	14
200 / 8"	24 x 5	247	14



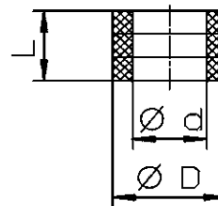
Spare parts set: piston complete

Nominal size	D	L
65 / 2 1/2"	60	77.5
80 / 3"	70	88.5
100 / 4"	90	105.5
125	110	125.5
150 / 6"	130	139.5
200 / 8"	170	168.5



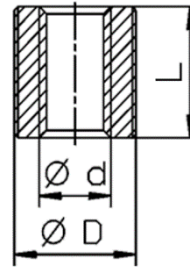
Stuffing box ring set

Nominal size	D	d	L
65 / 2 1/2"	36	24	24
80 / 3"	36	24	24
100 / 4"	46	30	30
125	46	30	30
150 / 6"	46	30	30
200 / 8"	46	30	30



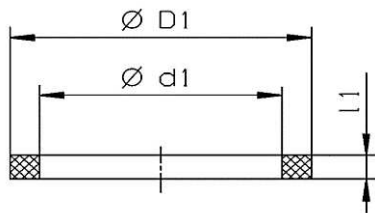
Threaded bush

Nominal size	D	d	L
65 / 2 1/2"	M40 x 1.5	Tr 22 x 5	40
80 / 3"	M40 x 1.5	Tr 22 x 5	40
100 / 4"	M48 x 1.5	Tr 24 x 5	48
125	M48 x 1.5	Tr 24 x 5	53
150 / 6"	M48 x 1.5	Tr 24 x 5	53
200 / 8"	M48 x 1.5	Tr 24 x 5	53

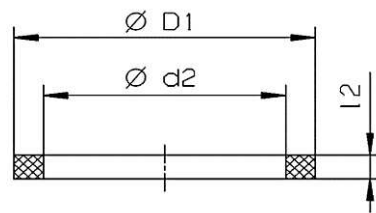


Valve ring set

Nominal size	D1	d1	l1	d2	l2
65 / 2 1/2"	82	60	13.3	69	10
80 / 3"	94	70	14.6	80	10
100 / 4"	112	90	14.6	100	11
125	135	110	16	121	13
150 / 6"	155	130	17.3	141	13
200 / 8"	200	170	18.6	184	15



Valve ring (Pos. 16)



Valve ring (Pos. 14)

14.1 Special tools

Lantern drawer:

Nominal size	Order Number
65 / 2 ½"	A006025
80 / 3"	A006026
100 / 4"	A006007
125	A006028
150 - 200 / 6"- 8"	A006029

Ring extractor hook:

Nominal size	Order Number
65 - 100 / 2 ½"- 4"	A006017
125 - 200 / 6"- 8"	A006018

Assembly tools:

Nominal size	Order Number
65 / 2 ½"	A018885
80 / 3"	A018886
100 / 4"	A018804
125	A018805
150 / 6"	A018806
200 / 8"	A018807

15 Disposal

To the extent that other laws do not require a deviating treatment, the utilized materials should be separated in accordance with their properties and entered into the raw materials recycling process. The pre-requirement in this regard is that the raw materials have been correspondingly decontaminated on the order of the operator.