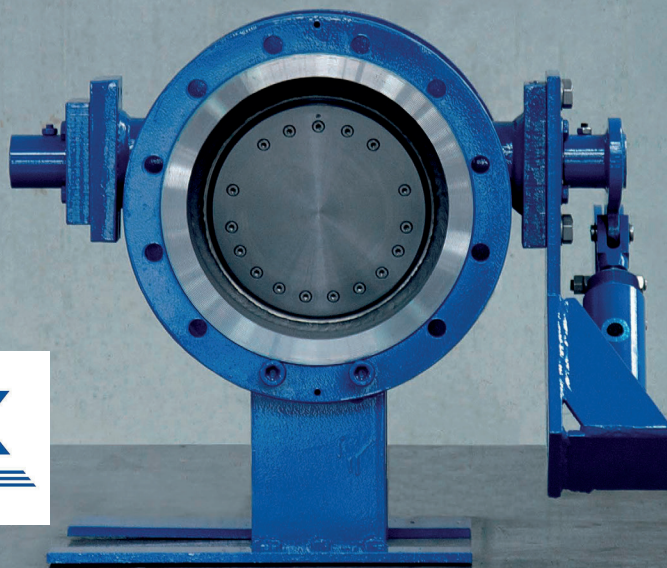




CHECK VALVES TRI-CHECK

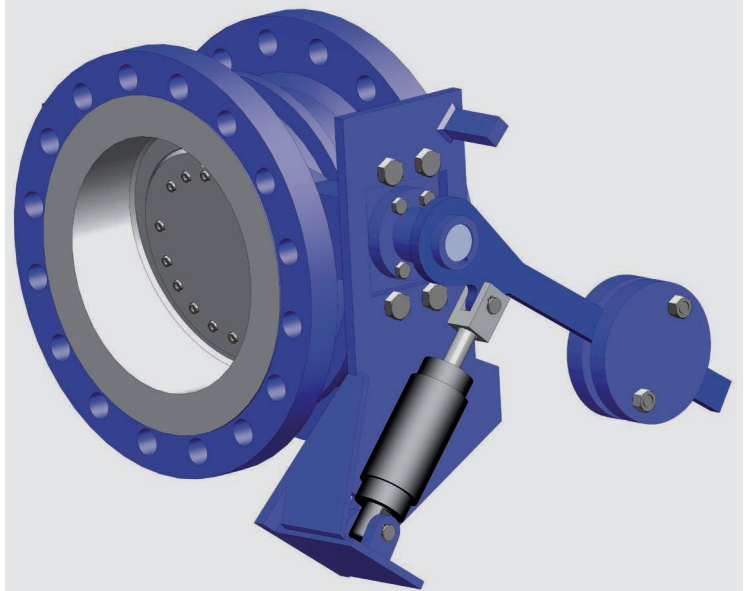
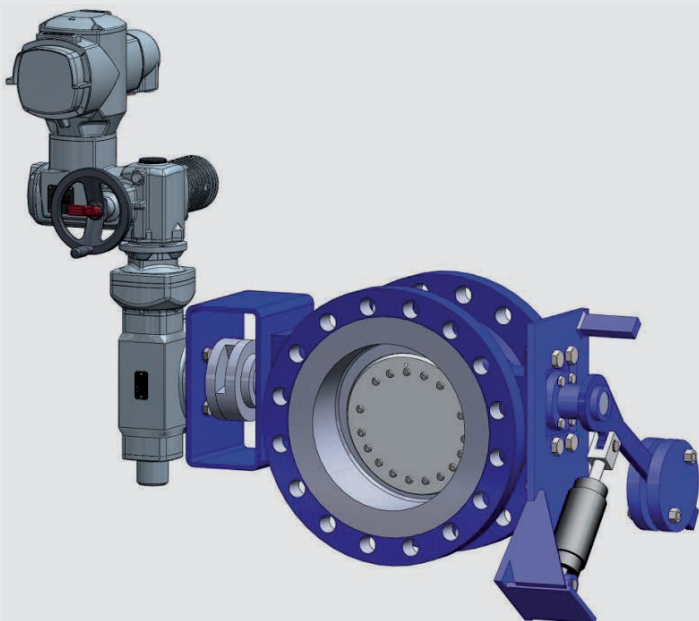
HEAVY DUTY METAL SEATED
CHECK VALVE - Hydraulic dampened



HIGH STANDARD VALVES FOR NON-STANDARD CONDITIONS.

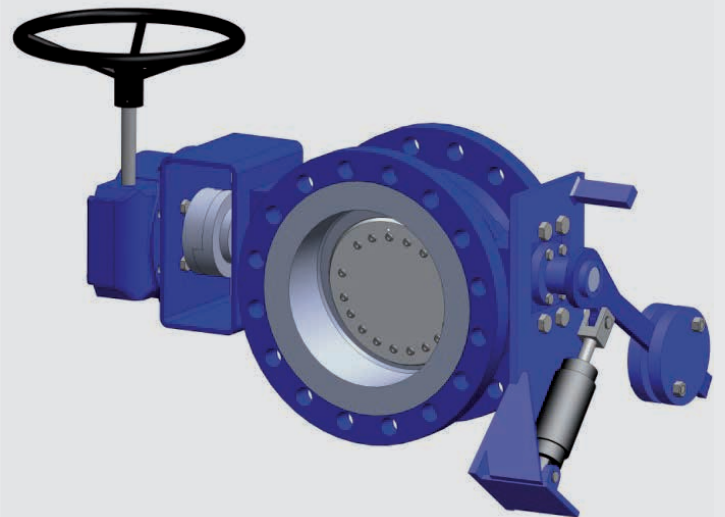
TRI-CHECK

- DN 50 - 1200 / 2" - 48"
- PN 6 - 160 / ANSI 150 - 900
- Zero Leakage
- Metal seated
- Tripple offset design
- Incl. damper & counterweight
- Double flange or buttweld



Options

- manual or automated combined
- check valve with shut off function



KLINGER FOR SAFETY

» Quality & know-how
» Savings (TCO)

» Reduction CO₂-emissions
» Real solutions

» Personal contact
» Involved specialists



KLINGER BV
T +31 10 455 75 55

Nikkelstraat 2-4, 3067 GR Rotterdam
Postbus 8504, 3009 AM Rotterdam
appendages@klinger.nl

“Klinger helps producers to
produce better and more safely”

www.klinger.nl