



OEM MECHANICAL SEALS

Repair / reconditioning services



MECHANICAL SEALS FOR PROCESS PUMPS

GROUPE LATTY, with its experience in dynamic sealing, offers a range of products to meet the requirements of maintenance departments for the rapid repair of your process pumps.

This comprehensive range of OEM mechanical seals for process pumps has been specifically designed to meet maintenance requirements in the following sectors: food-processing, chemicals, environment, extraction and processing of minerals, paper, pharmaceuticals, water treatment, etc. Specifically trained in different production environments, our technicians advise our customers on how to improve their standard or specific mechanical seal systems, cartridge boxes or process pumps.

Our technicians intervene to improve the reliability of sealing solutions and upgrade equipment to take account of technological and environmental changes.

OEM RANGE



SUMMARY BY PUMP TYPE

ABS

LI AB1 NEW	06
LI AB2 NEW	06
LI AB3 NEW	06
LI AB4 NEW	07

ALFA LAVAL

LI AL1	07
LI AL2	07
LI AL3	08
LI AL4	08
LI AL5	08
LI AL6	09
LI AL7	09
LI ALP	09
LI ALC	10
LI ALCO	10
LI AL4D NEW	10
LI ALMRPX NEW	11
LI ALSSR NEW	11
LI ALSSRS NEW	11

ALLWEILER

LI ARX NEW	12
LI ARW NEW	12
LI ARR NEW	12

APV

LI AV	13
LI AVR	13
LI AWW	13
LI AWW+	14
LI AWWC	14
LI AV5	14
LI AWWDW	15
LI AVZ5 NEW	15
LI AV6 KIT NEW	15

BOERGER

LI BOGR NEW	16
--------------------	----

BORNEMANN

LI BON NEW	16
-------------------	----

DURREX

LI DX NEW	16
------------------	----

EMU

LI EMU	17
--------	----

FLYGT

LI FT CARTOUCHE NEW	17
----------------------------	----

GOAVEC

LI GC NEW	17
------------------	----

GORMAN

LI GOR NEW	18
-------------------	----

GRUNDFOS

LI GS2	18
LI GS3	18
LI GS4	19
LI GS5	19
LI GS6 NEW	19
LI GS7 NEW	20
LI GS8 NEW	20

GUERIN

LI PG	20
-------	----

HIDROSTAL

LI HL	21
LI HL2 NEW	21
LI HLX NEW	21

HILGE

LI GSC	22
LI GSH	22
LI HE28 NEW	22

IMO

LI IOAGE NEW	23
---------------------	----

INOXPA

LI IA1 NEW	23
LI IA2 NEW	23
LI IA3 NEW	24

JOHNSON

LI JO1 NEW	24
LI JO2 NEW	24
LI JNTW2 NEW	25
LI SERIE JOL NEW	25
LI JOL NEW	25

KSB

LI KB	26
LI KB1 NEW	26
LI KB2 NEW	26

LOWARA

LI LA5SV NEW	27
LI LA46SV NEW	27
LI LAFC NEW	27
LI LAESV NEW	28

MONDOMIX

LI MDX	28
--------	----

MOUVEX

LI MX NEW	28
------------------	----

OMAC

LI OC220 NEW	29
---------------------	----

PACKO

LI P01	29
LI P02	29
LI P03	30
LI P04 NEW	30

POMAC

LI IPAM IPPT NEW	30
-------------------------	----

SALMSON

LI SMAC NEW	31
--------------------	----

SIHI

LI SID	31
--------	----

SOMEFLU

LI SU NEW	31
------------------	----

TSURUMI

LI TISP NEW	32
--------------------	----

TUCHENHAGEN

LI TN1	32
LI TN2	32
LI TN4 NEW	33
LI TN5D NEW	33

VICKING

LI VG NEW	33
------------------	----

TYPE 500

LI 511-513	35
LI 512 NEW	36
LI 514 NEW	37
LI 521-522-523	38
LI 524	39
LI 525-526-527	40
LI 528	41
LI 529-530	42
LI 531-532-533	43
LI 534-535	44

Material selection	45
--------------------	----

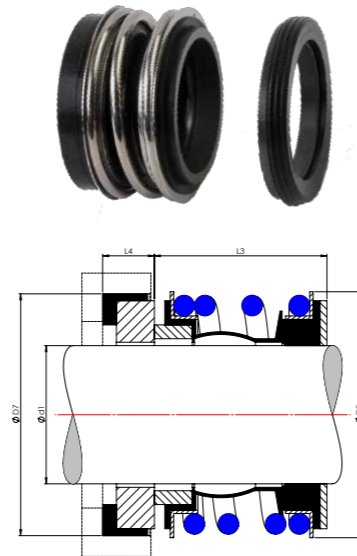
OEM identification guide	46
--------------------------	----

Reconditioning	47
----------------	----

ABS - LI AB1 **NEW**

Operating parameters*
 Temperature : -20°C / +120°C
 Pressure : 0 / 12 bar
 Speed : < 10m/s

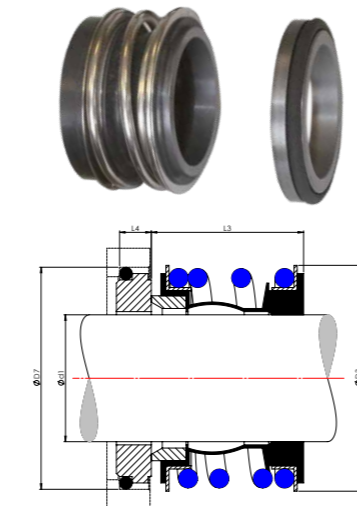
Pump type	Ref.	d1	d7	d3	L3	L4
ABS AFP series	LI-AB1-15	15	35	28	17	4
	LI-AB1-20	20	35	36	21,5	7,5
	LI-AB1-25	25	40,5	41	22,5	8,5
	LI-AB1-30	30	50,8	47	24	9,5
	LI-AB1-40	40	58	60	33,5	11
	LI-AB1-45	45	65,5	64,3	30,5	12,5
	LI-AB1-55	55	76,2	78	37,5	13,5
	LI-AB1-80	80	104	106,5	40	15



ABS - LI AB2 **NEW**

Operating parameters*
 Temperature : -20°C / +120°C
 Pressure : 0 / 12 bar
 Speed : 10m/s

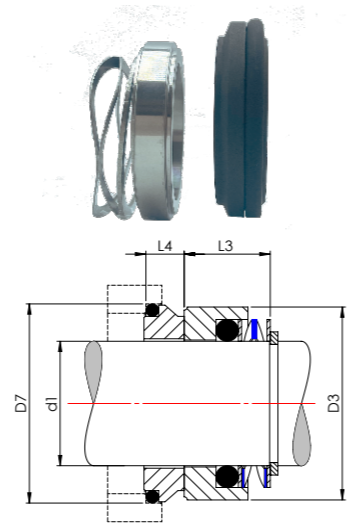
Pump type	Ref.	d1	d7	d3	L3	L4
ABS AFP series	LI-AB2-40	40	58	60	33,5	11
	LI-AB2-48	48	67	69	30,5	10
	LI-AB2-65	65	86	90	39	12
	LI-AB2-90	90	114	125	46,3	13
	LI-AB2-100	100	123,3	130	46	13,3



ABS - LI AB3 **NEW**

Operating parameters*
 Temperature : -20°C / +140°C
 Pressure : 0 / 12 bar
 Speed : 10m/s

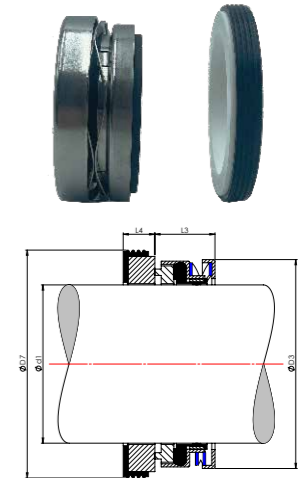
Pump type	Ref.	d1	d7	d3	L3	L4
ABS AFP submersibles	LI-AB3-20	20	52	31	13,5	6
	LI-AB3-48	48	67	62	15,8	14,5
	LI-AB3-65	65	86	79	17,8	15,3
	LI-AB3-80	80	104	98	19,5	16,3
	LI-AB3-90	90	114	105	19,5	16,3
	LI-AB3-100	100	123	116	21	17,1



ABS - LI AB4 **NEW**

Operating parameters*
 Temperature : -20°C / +120°C
 Pressure : 0 / 12 bar
 Speed : 10m/s

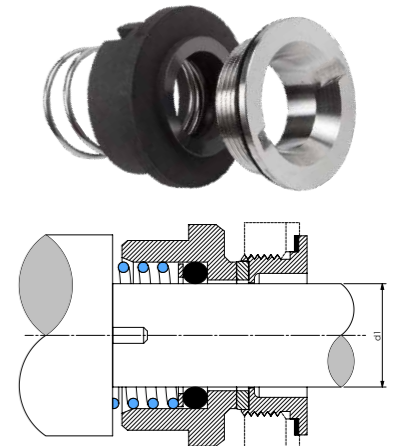
Pump type	Ref.	d1	d7	d3	L3	L4
ABS AFP series	LI-AB4-50	50	72	66,1	19	10
	LI-AB4-65	65	85	86,5	27	13



ALFA LAVAL - LI AL1

Operating parameters*
 Temperature : -20°C / +140°C
 Pressure : 0 / 20 bar
 Speed : 10m/s

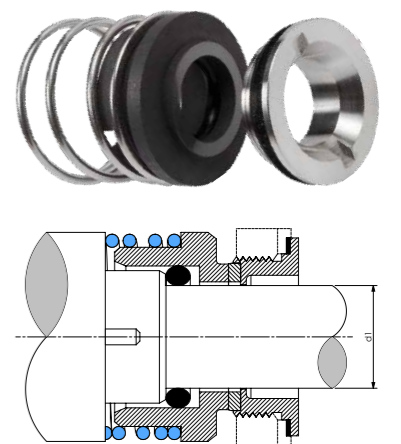
Pump type	Ref.	Designation	d1
CM 1, 1A, 1B, 1C, 1D, GM 1, 1A, 2, 2A, EM 1C, EM 1D	LI-10100	LI AL1 022 B S2 EP	22
	LI-10101	LI AL1 022 B U3 EP	22
	LI-10102	LI AL1 022 U3 U3 EP	22



ALFA LAVAL - LI AL2

Operating parameters*
 Temperature : -20°C / +140°C
 Pressure : 0 / 20 bar
 Speed : 10m/s

Pump type	Ref.	Designation	d1
FM 0S, 0, 1, 1A, 1AE, 2, 2A, 3, 3A, 4, 4A	LI-10103	LI AL2 022 B S2 EP	22
	LI-10104	LI AL2 022 B U3 EP	22
	LI-10105	LI AL2 022 U3 U3 EP	22



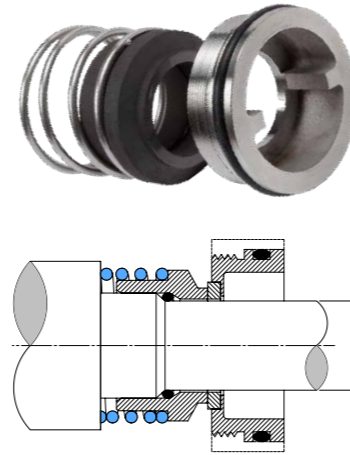
*The maximum temperature, pressure and speed given in this document cannot be associated in any case. The stationary's ring are supplied with the mechanical seal. Material codes are available on page 45.

*The maximum temperature, pressure and speed given in this document cannot be associated in any case. The stationary's ring are supplied with the mechanical seal. Material codes are available on page 45.

ALFA LAVAL - LI AL3

Operating parameters*
 Temperature : -20°C / +140°C
 Pressure : 0 / 20 bar
 Speed : 10m/s

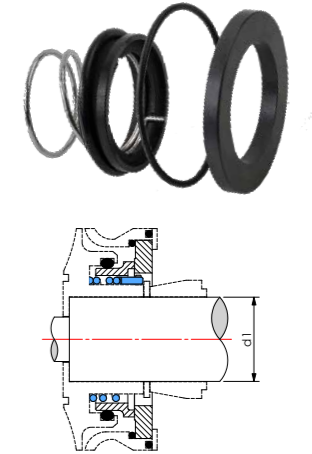
Pump type	Ref.	Designation	d1
MR 185, 185A, 200, 200A	LI-10106	LI AL3 027 B S2 EP	27
	LI-10107	LI AL3 027 B U3 EP	27
	LI-10108	LI AL3 027 U3 U3 EP	27



ALFA LAVAL - LI AL6

Operating parameters*
 Temperature : -20°C / +140°C
 Pressure : 0 / 20 bar
 Speed : 10m/s

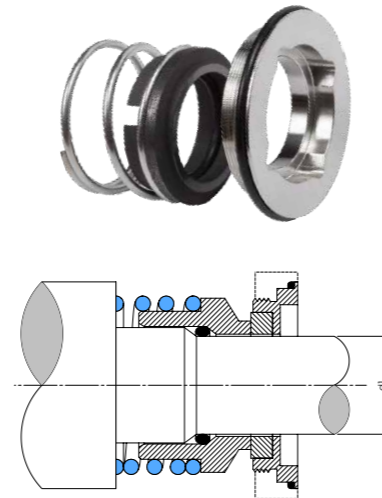
Pump type	Ref.	Designation	d1
ALC FLUSH	LI-10131	LI AL6 053 B U6 EP	53



ALFA LAVAL - LI AL4

Operating parameters*
 Temperature : -20°C / +140°C
 Pressure : 0 / 20 bar
 Speed : 10m/s

Pump type	Ref.	Designation	d1
LKH	LI-10109	LI AL4 032 B S2 EP	32
	LI-10110F	LI AL4 032 B U3 EP FDA	32
	LI-10111F	LI AL4 032 U3 U3 EP FDA	32
	LI-10110VF	LI AL4 032 B U3 V FDA	32
	LI-10111VF	LI AL4 032 U3 U3 V FDA	32



ALFA LAVAL - LI AL7

Operating parameters*
 Temperature : -40°C / +200°C
 Pressure : 0 / 25 bar
 Speed : 20m/s

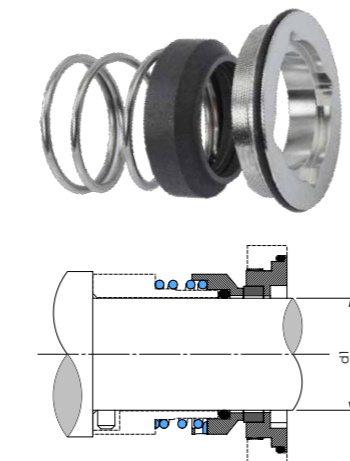
Pump type	Ref.	Designation	d1
LKH 110, 112, 113, 114	LI-10128	LI AL7 032 B U3 EP	32
	LI-10123	LI AL7 032 U3 U3 EP	32



ALFA LAVAL - LI AL5

Operating parameters*
 Temperature : -20°C / +140°C
 Pressure : 0 / 20 bar
 Speed : 10m/s

Pump type	Ref.	Designation	d1
LKH 70, 80	LI-10125	LI AL5 042 B S2 EP	42
	LI-10126	LI AL5 042 B U3 EP	42
	LI-10127	LI AL5 042 U3 U3 EP	42



ALFA LAVAL - LI ALP

Pump type	Ref.	Designation	d1
Sleeve to suit single seal assembly ALFA LAVAL LI-AL4.	LI-10135	LI ALP 035 PTFE	35
	LI-10135SS	LI ALP 035 SS	35



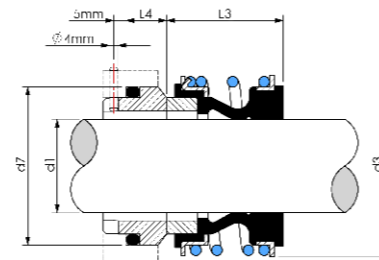
*The maximum temperature, pressure and speed given in this document cannot be associated in any case. The stationary's ring are supplied with the mechanical seal. Material codes are available on page 45.

*The maximum temperature, pressure and speed given in this document cannot be associated in any case. The stationary's ring are supplied with the mechanical seal. Material codes are available on page 45.

ALFA LAVAL - LI ALC

Operating parameters*
 Temperature : -20°C / +120°C
 Pressure : 0 / 10 bar
 Speed : 10m/s

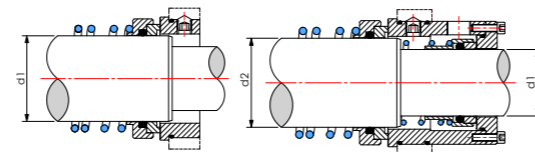
Pump type	Ref.	Designation	d1	d3	d7	L3	L4
ALC1 (1.5kw-4kw)	LI-10112	LI AL ALC 040 B U3 EP	40	60	58	30	14
	LI-10113	LI AL ALC 040 U3 U3 EP					
	LI-10118	LI AL ALC 040 B U3 V					
ALC1 (5.5kw-7.5kw) ALC2 (5.5kw-18.5kw) ALC3 (5.5kw-18.5kw)	LI-10114	LI AL ALC 053 B U3 EP	53	76	73	33	15
	LI-10115	LI AL ALC 053 U3 U3 EP					
	LI-10119	LI AL ALC 053 B U3 V					
ALC3 (22kw)	LI-10116	LI AL ALC 060 B U3 EP	60	85	80	38	15
	LI-10117	LI AL ALC 060 U3 U3 EP					
	LI-10120	LI AL ALC 060 B U3 V					



ALFA LAVAL - LI ALCO

Operating parameters*
 Temperature : -45°C / +140°C
 Pressure : 0 / 20 bar
 Speed : 10m/s

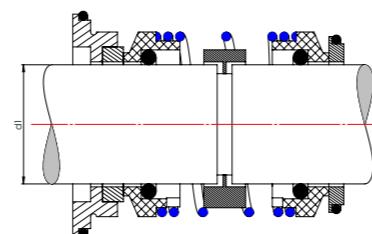
Pump type	Ref.	Designation	d1	d2
ALFA LAVAL CONTHERM DOUBLE	LI-10121	LI ALCO 38.1/50.8 B U3 E / B O E	38.1	50.8
ALFA LAVAL CONTHERM SIMPLE / SINGLE	LI-10133	LI ALCO 50.8 B U3 E	50.8	-



ALFA LAVAL - LI AL4D NEW

Operating parameters*
 Temperature : -20°C / +140°C
 Pressure : 0 / 20 bar
 Speed : 10m/s

Pump type	Ref.	Designation	d1
LKH	LI-10144	LI AL4D 032 B U3 / B U3 EP	32
	LI-10149	LI AL4D 032 U3 U3 / U3 U3 EP	



ALFA LAVAL - LI ALMRPX NEW

Operating parameters*
 Temperature : -20°C / +140°C
 Pressure : 0 / 11 bar
 Speed : 10m/s

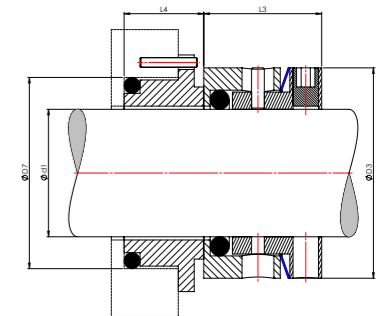
Pump type	Ref.	Designation	d1
Tetra pack cream separator	LI-10145	LI ALMRPX U3 U3	32/37
	LI-10146	LI ALMRPX U3 U3	52/57



ALFA LAVAL - LI ALSSR NEW

Operating parameters*
 Temperature : -40°C / +200°C
 Pressure : 0 / 8 bar
 Speed : 18m/s

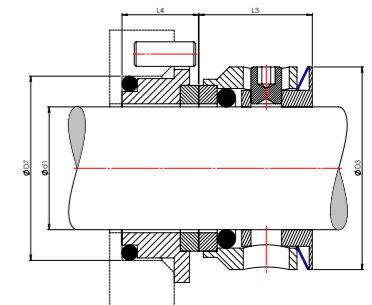
Pump type	Ref.	d1	d3	d7	L3	L4
SR1	LI ALSSR 20	20	31	30	19,1	10,7
SR2	LI ALSSR 30	30	41	41,3	19,1	10,9
SR3	LI ALSSR 35	35	45,5	47	19,1	12,2
SR4	LI ALSSR 45	45	58,2	58,3	21,1	11,6
SR5	LI ALSSR 55	55	72	69,6	22,1	13
SR6	LI ALSSR 75	75	96	92,2	25,8	14,5



ALFA LAVAL - LI ALSSRS NEW

Operating parameters*
 Temperature : -40°C / +200°C
 Pressure : 8 bar
 Speed : 18m/s

Pump type	Designation	d1	d3	d7	L3	L4
SR1	LI ALSSRS 20	20	32,4	30	20	10,7
SR2	LI ALSSRS 30	30	44	41,3	21,4	10,9
SR3	LI ALSSRS 35	35	50,8	47	22	12,2
SR4	LI ALSSRS 45	45	62,4	58,3	22,9	11,6
SR5	LI ALSSRS 55	55	76	69,6	29,3	13
SR6	LI ALSSRS 75	75	99,2	92,2	31,1	14,5



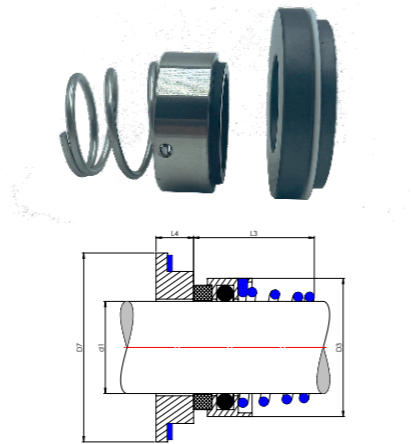
*The maximum temperature, pressure and speed given in this document cannot be associated in any case. The stationary's ring are supplied with the mechanical seal. Material codes are available on page 45.

*The maximum temperature, pressure and speed given in this document cannot be associated in any case. The stationary's ring are supplied with the mechanical seal. Material codes are available on page 45.

ALLWEILER - LI ARX **NEW**

Operating parameters*
 Temperature : -20°C / +150°C
 Pressure : 14 bar
 Speed : 10m/s

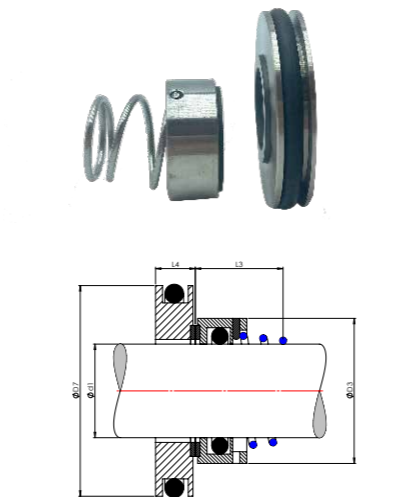
Pump type	Ref.	d1	d3	L3	L4
SOB, SOH	LI ARX 44	44	33	21.5	11.25



ALLWEILER - LI ARW **NEW**

Operating parameters*
 Temperature : -20°C / +150°C
 Pressure : 0 / 14 bar
 Speed : 10m/s

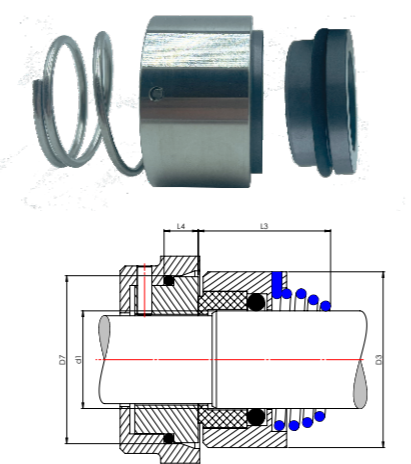
Pump type	Designation	d1	d3	L3	L4
BAS, SFP, ZAS	LI ARW 38	38	24	15	8
	LI ARW 45	45	31	19.5	8.5



ALLWEILER - LI ARR **NEW**

Operating parameters*
 Temperature : -20°C / +180°C
 Pressure : 0 / 10 bar
 Speed : 15m/s

Pump type	Ref.	Designation	d1	d3	L3	L4
L, LV	LI-10025	LI AR 030 B U3 V RH	30	24	15	8
	LI-10026	LI AR 040 B U3 V RH	40	31	19.5	8.5

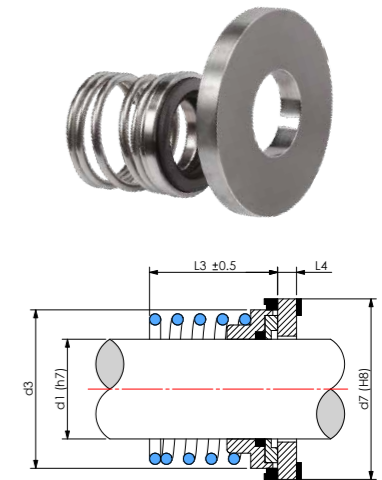


APV - LI AV

Operating parameters*
 Temperature : -20°C / +140°C
 Pressure : 0 / 25 bar
 Speed : 5m/s

Pump type	Ref.	Designation	d1	d3	d7	L3	L4		
PUMA	LI-10001	LI AV 1" BS2 E	25.4	41.2	68.2	25.4	7.80		
	LI-10002	LI AV 1" U3U3 E	25.4	41.2	68.2	25.4	7.80		
	LI-10013	KIT EPR 1"						-	
	LI-10003	LI AV 1,5" BS2 E	38.1	55.7	80.1	33.3	9.00		
	LI-10004	LI AV 1,5" U3U3 E	38.1	55.7	80.1	33.3	9.00		
	LI-10014	KIT EPR 1,5"						-	

You have possibility to order rings, rotary and stationary as spare parts.



APV - LI AVR

Operating parameters*
 Temperature : -40°C / +180°C
 Pressure : 0 / 8 bar
 Speed : 5m/s

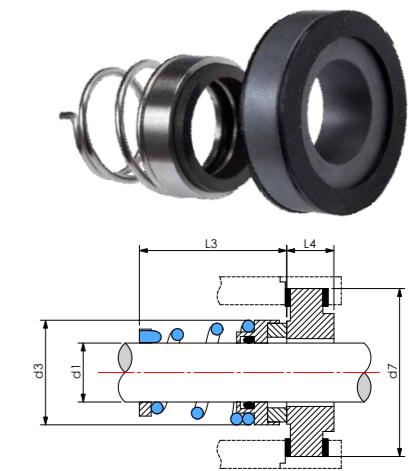
Pump type	Ref.	Designation	d1
ZMA/ZMB/ZMH1/ZMH2/ZMK1/ZMK2	LI-10015	LI AVR 020 B S2 EP	20
ZMS3/ZMS4	LI-10016	LI AVR 025 B S2 EP	25
ZMH4/ZMK3/ZMD	LI-10017	LI AVR 030 B S2 EP	30



APV - LI AVW

Operating parameters*
 Temperature : -20°C / +140°C
 Pressure : 0 / 8 bar
 Speed : 15m/s

Pump type	Ref.	Designation	d1	d7	d3	L3	L4
W20/20, 25/75, 30/25, 30/50, 40/20, 50/25	LI-10005	LI AVW 025 B U3 EP	25	52	38.2	25.4	16
	LI-10006	LI AVW 025 U3 U3 EP	25	52	38.2	25.4	16
W30/100, 50/50, 50/100, 60/300, 70/30, 80/50, 100/130	LI-10007	LI AVW 035 B U3 EP	35	62.5	49.5	33.3	16
	LI-10008	LI AVW 035 U3 U3 EP	35	62.5	49.5	33.3	16



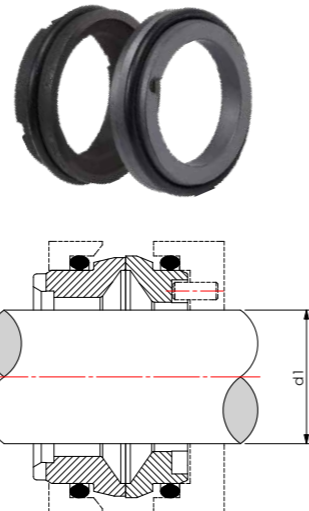
*The maximum temperature, pressure and speed given in this document cannot be associated in any case. The stationary's ring are supplied with the mechanical seal. Material codes are available on page 45.

*The maximum temperature, pressure and speed given in this document cannot be associated in any case. The stationary's ring are supplied with the mechanical seal. Material codes are available on page 45.

APV - LI AVW+

Operating parameters*
 Temperature : 0°C / +100°C
 Pressure : 0 / 20 bar
 Speed : 10m/s

Pump type	Ref.	Designation	d1
W+ 10/8, 22/20, 30/80, 35/35, 35/55, 50/8, 55/35	LI-10009F	LI AWW+ 025 B U3 E FDA	25
	LI-10009VF	LI AWW+ 025 B U3 V FDA	25
	LI-10010F	LI AVW+ 025 U3 U3 E FDA	25
	LI-10010VF	LI AVW+ 025 U3 U3 V FDA	25
	LI-10018	LI AVW+ 025 U2 U2 E (version MASSIF)	25
	LI-10018SS	LI AVW+ 025 U2 U2 E (version SERTI)	25
W+ 25/210, 30/120, 30/180, 55/60, 60/110, 65/350, 70/40, 80/80, 110/130	LI-10011F	LI AWW+ 035 B U3 E FDA	35
	LI-10011VF	LI AWW+ 035 B U3 V FDA	35
	LI-10012F	LI AVW+ 035 U3 U3 E FDA	35
	LI-10012VF	LI AVW+ 035 U3 U3 V FDA	35



APV - LI AVWDW

Operating parameters*
 Temperature : 0°C / +100°C
 Pressure : 0 / 20 bar
 Speed : 10m/s

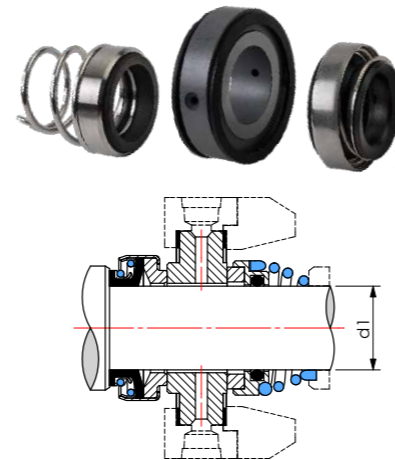
Pump type	Ref.	Designation	d1
DW1	LI-10027	LI AVWDW 028 B U3 EP	28
DW1	LI-10028	LI AVWDW 028 U3 U3 EP	28
DW2	LI-10029	LI AVWDW 038 B U3 EP	38
DW2	LI-10030	LI AVWDW 038 U3 U3 EP	38
DW3	LI-10031	LI AVWDW 048 B U3 EP	48
DW3	LI-10032	LI AVWDW 048 U3 U3 EP	48
DW4	LI-10033	LI AVWDW 058 B U3 EP	58
DW4	LI-10034	LI AVWDW 058 U3 U3 EP	58
DW5	LI-10035	LI AVWDW 075 B U3 EP	75
DW5	LI-10036	LI AVWDW 075 U3 U3 EP	75



APV - LI AVWC

Operating parameters*
 Temperature : -40°C / +180°C
 Pressure : 0 / 8 bar
 Speed : 15m/s

Pump type	Ref.	Designation	d1
FLUSH : W20/20, W25/75, W30/25, W30/50, W40/20, W50/25	LI-10019	LI AVWC 025 B U3 E / B U3 EP	25
AVEC FLUSH : W30/100, W50/50, W50/100, W60/300, W70/30, W80/50, W100/130	LI-10020	LI AVWC 035 B U3 E / B U3 EP	35



APV - LI AVZ5 **NEW**

Operating parameters*
 Temperature : -40°C / +180°C
 Pressure : 0 / 10 bar
 Speed : 15m/s

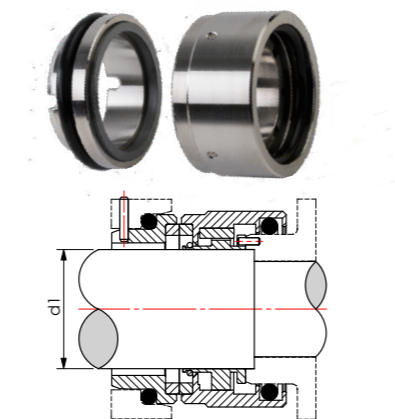
Pump type	Ref.	Designation	d1
SOB, SOH	LI-10021	LI AVZ5 048 B S2 EP	48



APV - LI AV5

Operating parameters*
 Temperature : -20°C / +200°C
 Pressure : 0 / 25 bar
 Speed : 20m/s

Pump type	Ref.	Designation	d1
W+ 140-50	LI-10024	LI AV5 035 U6 U6 EP FDA	35



APV - LI AV6 KIT **NEW**

Operating parameters*
 Temperature : -20°C / +140°C
 Pressure : 0 / 30 bar
 Speed : 5m/s

Pump type	Ref.	Designation
PUMA	KIT-09	KIT APV 1" FDA B S2 EP / SS / B NBR
	KIT-10	KIT APV 1.5" FDA B S2 EP / SS / B NBR



*The maximum temperature, pressure and speed given in this document cannot be associated in any case. The stationary's ring are supplied with the mechanical seal. Material codes are available on page 45.

*The maximum temperature, pressure and speed given in this document cannot be associated in any case. The stationary's ring are supplied with the mechanical seal. Material codes are available on page 45.

BOERGER - LI BOGR **NEW**

Operating parameters*
 Temperature : -20°C / +200°C
 Pressure : 0 / 25 bar
 Speed : 20m/s

Pump type	Ref.	Designation	d1
AL, PL, CL, FL	LI-15020	LI BOGR 062/080	62,8



BORNEMANN - LI BON **NEW**

Operating parameters*
 Temperature : -20°C / +200°C
 Pressure : 0 / 25 bar
 Speed : 20m/s

Pump type	Ref.	Designation	d1
ITT BORNEMANN SLH JUNG HIGHSPIN 50/70/90/125	LI-10399	LI BON 030 U3 U3 B U2 EP FDA	30
	LI-10280	LI BON 040 U3 U3 B U2 EP FDA	40
	LI-10398	LI BON 055 U2 U3 V B U3 V FDA	55



DURREX - LI DX **NEW**

Operating parameters*
 Temperature : -20°C / +200°C
 Pressure : 0 / 20 bar
 Speed : 20m/s

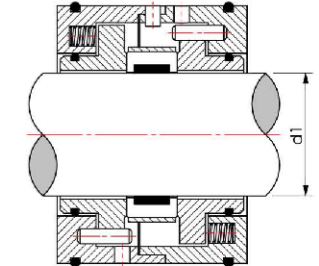
Pump type	Ref.	d1
TLS	LI DX 25	25
	LI DX 35	35
	LI DX 45	45
	LI DX 60	60
	LI DX 75	75
	LI DX 80	80



EMU - LI EMU

Operating parameters*
 Temperature : -40°C / +200°C
 Pressure : 0 / 12 bar
 Speed : 20m/s

Pump type	Ref.	Designation	d1
EMU	LI-10676	LI EU 035 U3 U3 V/U3 U3 V	35
	LI-10676A	LI EU 050 U3 U3 V/U3 U3 V	50
	LI-10676B	LI EU 075 U3 U3 V/U3 U3 V	75



FLYGT - LI FT CARTOUCHE **NEW**

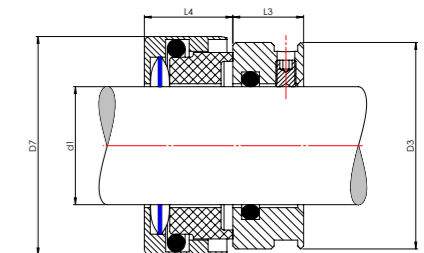
Pump type	Designation	d1
2610, 2620, 2630, 2640, 4610, 4620	FTC 20	20
2660, 4630, 4640	FTC 25	25
2670, 3153, 5100.210, 5100.211, 5100.220, 5100.221	FTC 35	35
3171, 4650, 4660, 5100.250, 5100.251, 5100.260, 5100.261	FTC 45	45
3202, 4670, 4680, 5100.300, 5100.310, 5150.300, 5150.310	FTC 60	60
3310, 5150.350, 5150.360	FTC 90	90



GULLIVER - LI GC **NEW**

Operating parameters*
 Temperature : < 150°C
 Pressure : 15 bar
 Speed : < 20m/s

	Ref.	Designation	d1	d3	d7	L3	L4
For milk tank, meat mixer, homogenizer, kneader application	LI-10713	LI GC 030 O B E	30	53	55	14	19
	LI-10714	LI GC 040 O B E	40	63	65	17	19
	LI-10700	LI GC 050 O B E	50	73	75	17	19
	LI-10702	LI GC 060 O B E	60	83	85	17	21
	LI-10712	LI GC 065 O B E	65	88	90	17	21
	LI-10704	LI GC 070 O B E	70	93	95	17	21
	LI-10706	LI GC 080 O B E	80	103	105	17	21
	LI-10707	LI GC 085 O B E	85	108	110	17	21
	LI-10708	LI GC 090 O B E	90	113	115	17	21
	LI-10709	LI GC 100 O B E	100	123	125	17	21
	LI-10710	LI GC 110 O B E	110	138	140	17	25
	LI-10711	LI GC 120 O B E	120	148	150	20	25



*The maximum temperature, pressure and speed given in this document cannot be associated in any case. The stationary's ring are supplied with the mechanical seal. Material codes are available on page 45.

*The maximum temperature, pressure and speed given in this document cannot be associated in any case. The stationary's ring are supplied with the mechanical seal. Material codes are available on page 45.

GORMAN - LI GOR NEW

Operating parameters*
 Temperature : -20°C / +140°C
 Pressure : 14 bar
 Speed : < 15m/s

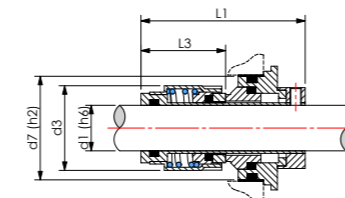
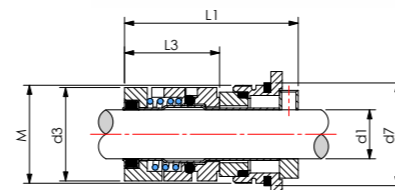
Pump type	Ref.	Designation	d1
Serie T	LI-10618	LI GOR 031.75/38.1 U2 U2 V	31.75/38.1
	LI-10297	LI GRN 038.1/47.6 U2 U2 V	38.1/47.6



GRUNDFOS - LI GS2

Operating parameters*
 Temperature : -30°C / +200°C
 Pressure : 25 bar
 Speed : < 25m/s

Pump type	Ref.	Designation	d1	d3	M	d7	L1	L3
CR, CR8, CRI, CRN1, CRN3, CRN5, CRNE1, CRNE3-23HS	LI-10403	LI GS2 012 U2 U2 E	12	25	M28X1.5	29	55	30
	LI-10403V	LI GS2 012 U2 U2 V	12	25	M28X1.5	29	55	30
CR, CRI, CRN10, CRN15, CRN20	LI-10404	LI GS2 016 U2 U2 E	16	30.5	M33X1.5	34	57.5	30.5
	LI-10404V	LI GS2 016 U2 U2 V	16	30.5	M33X1.5	34	57.5	30.5
CR, CRN32, CRN45, CRN64, CRN90	LI-10405	LI GS2 022 U2 U2 E	22	42	-	50	72	37



GRUNDFOS - LI GS3

Operating parameters*
 Temperature : -20°C / +180°C
 Pressure : 12 bar
 Speed : < 10m/s

Pump type	Ref.	Designation	d1
GRUNDFOS, SARLIN, HILGE	LI-10406	LI GS3 012 U2 U2 EP	12
	LI-10411	LI GS3 016 U2 U2 EP	16



GRUNDFOS - LI GS4

Operating parameters*
 Temperature : -20°C / +180°C
 Pressure : 12 bar
 Speed : < 10m/s

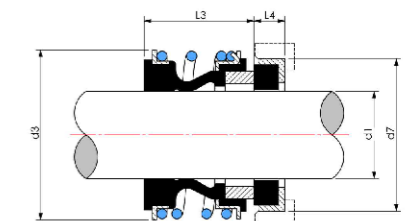
Pump type	Ref.	Designation	d1
CH, CHI, CHE, CRK, SPK	LI-10408	LI GS4 012 U2 U2 EP	12
	LI-10407	LI GS4 016 U2 U2 EP	16



GRUNDFOS - LI GS5

Operating parameters*
 Temperature : -20°C / +120°C
 Pressure : 12 bar
 Speed : < 10m/s

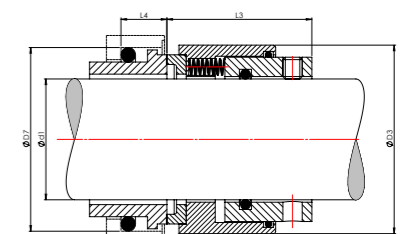
Pump type	Ref.	Designation	d1	d3	d7	L3	L4
CP/LP, LM, LD, LPD	LI-10412	LI GS5 012 B U3 EP	12	24	23	25.9	15
	LI-10409	LI GS5 016 B U3 EP	16	28	27	28.4	12.3
	LI-10410	LI GS5 022 B U3 EP	22	36	37	30	11.1



GRUNDFOS - LI GS6 NEW

Operating parameters*
 Temperature : -30°C / +200°C
 Pressure : 25 bar
 Speed : < 15m/s

Pump type	Designation	d1	d3	d7	L3	L4
Serie S	LI GS6 025	25	39	39	29,9	9,6
	LI GS6 032	32	46	46	32,4	11
	LI GS6 038	38	54	54	33,9	11,2
	LI GS6 050	50	66	66	34,4	14
	LI GS6 065	65	85	85	38,9	15,3



*The maximum temperature, pressure and speed given in this document cannot be associated in any case. The stationary's ring are supplied with the mechanical seal. Material codes are available on page 45.

*The maximum temperature, pressure and speed given in this document cannot be associated in any case. The stationary's ring are supplied with the mechanical seal. Material codes are available on page 45.

GRUNDFOS - LI GS7

NEW

Operating parameters*

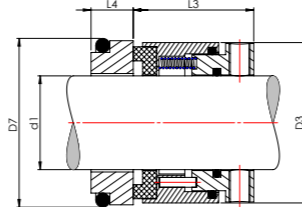
Temperature : -30°C / +200°C

Pressure : 25 bar

Speed : < 15m/s

Pump type	Designation	d1	d3	d7	L3	L4
Serie S	LI GS7 038	38	58	56	27	11
	LI GS7 050	50	70	70	27	13
	LI GS7 065	65	90	85	32	13

*Other diameters possible, consult us.



GRUNDFOS - LI GS8

NEW

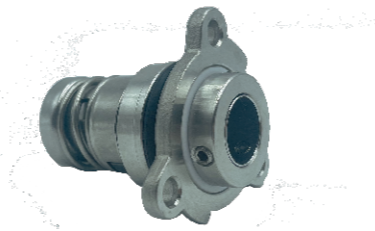
Operating parameters*

Temperature : -30°C / +200°C

Pressure : 25 bar

Speed : < 15m/s

Pump type	Ref.	Designation	d1
CNP, SPERONI	LI-10470	LI GS8 016 U2 B V	16



GUERIN - LI PG

Pump type	Ref.	Designation	d1
C114	LI-10720F	LI PG 19,1 B EP FDA	19,1
C216	LI-10721F	LI PG 28,6 B EP FDA	28,6
C218-328	LI-10722F	LI PG 38,1 B EP FDA	38,1



HIDROSTAL - LI HL

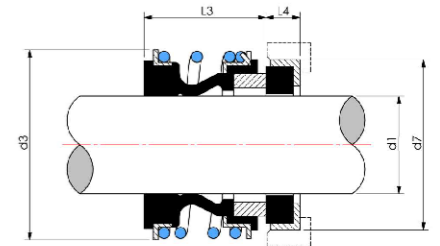
Operating parameters*

Temperature : -20°C / +120°C

Pressure : 10 bar

Speed : < 15m/s

Pump type	Ref.	Designation	d1	d3	d7	L3	L4
HIDROSTAL TYPE G	LI-10664	LI HL 020 B V V	20	38	38.1	30	10
	LI-10665	LI HL 020 U3 U3 V	20	38	38.1	30	10
	LI-10666	LI HL 1.125 B V V	1.125	52	44.45	27.5	10.6
	LI-10667	LI HL 1.125 U3 U3 V	1.125	52	44.45	27.5	10.6
	LI-10668	LI HL 1.500 B V V	1.5	61	54	30.7	9
	LI-10669	LI HL 1.500 U3 U3 V	1.5	61	54	30.7	9
	LI-10670	LI HL 2.000 B V V	2	77	69.85	37.3	13.5
	LI-10671	LI HL 2.000 U3 U3 V	2	77	69.85	37.3	13.5
	LI-10672	LI HL 2.500 B V V	2.5	94	85.73	45.32	15
	LI-10673	LI HL 2.500 U3 U3 V	2.5	94	85.73	45.32	15



HIDROSTAL - LI HL2

NEW

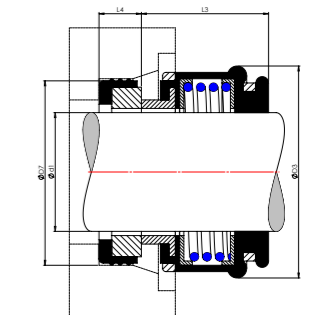
Operating parameters*

Temperature : -40°C / +250°C

Pressure : 25 bar

Speed : < 15m/s

Pump type	Ref.	Designation	d1	D3	D7	L3	L4
HIDROSTAL TYPE M	LI-10755A	LI HL2 1.125 U2 U2 V	1,125"	50,8	44,45	28,58	10,58
	LI-10755	LI HL2 1.500 U2 U2 V	1,5"	60,33	53,98	34,93	11,1
	LI-10671A	LI HL2 2.000 U2 U2 V	2"	74,5	69,85	45,25	12,7



HIDROSTAL - LI HLX

NEW

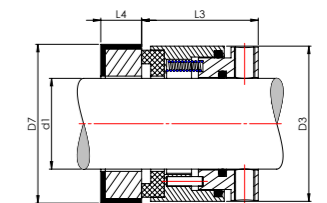
Operating parameters*

Temperature : -40°C / +200°C

Pressure : < 25 bar

Speed : < 15m/s

Pump type	Ref.	Designation	d1
HIDROSTAL TYPE X	LI-10783	LI HLX 3.000 U3 U3 EP	3



*The maximum temperature, pressure and speed given in this document cannot be associated in any case. The stationary's ring are supplied with the mechanical seal. Material codes are available on page 45.

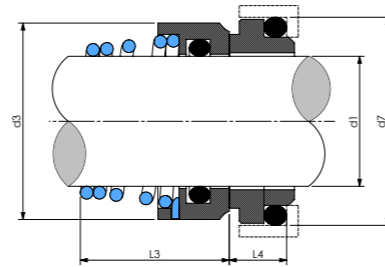
*The maximum temperature, pressure and speed given in this document cannot be associated in any case. The stationary's ring are supplied with the mechanical seal. Material codes are available on page 45.

HILGE - LI GSC

Operating parameters*

Temperature : -20°C / +180°C
 Pressure : < 10 bar
 Speed : < 15m/s

Pump type	Designation	d1	d3	d7	L3	L4
GRUNDFOS HILGE	LI GSC1 019	19	31	30,9	25	8
	LI GSC2 019	19	31	35	20	9,5
	LI GSC1 022	22	33	37	27,5	10
	LI GSC1 028	28	40	43,3	29	9
	LI GSC2 028	28	40	42	24,6	11
	LI GSC1 030	30	43	45	32,5	10
	LI GSC1 038	38	53	60,5	39	11,5
	LI GSC2 038	38	53	55	31	11,5
	LI GSC1 040	40	56	58	34	13
	LI GSC1 050	50	66	70	38	14
LI GSC2 050	50	66	70	43	14	

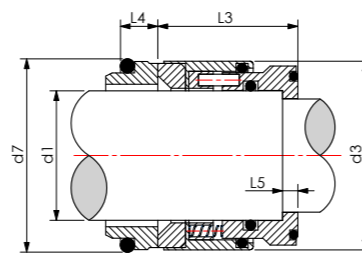


HILGE - LI GSH

Operating parameters*

Temperature : -20°C / +180°C
 Pressure : < 10 bar
 Speed : < 15m/s

Pump type	Ref.	Designation	d1	d2	d3	d7	L3	L4	L5
HYGIANA, EURO HYGIA, MAXANA, DURA, SIPLA, CONTRA, DURIETTA	LI-10972	LI GSH 019 U3 U3 EP	19	16	33.5	30.9	29	6	4
	LI-10929	LI GSH1 028 U3 U3 EP	28	24	43	48	34.5	10.6	0.5
	LI-10731	LI GSH2 028 U3 U3 EP	28	24	43	48	38	10.5	4
	LI-10971	LI GSH3 028 U3 U3 EP	28	24	43	43.3	33	9	4
	LI-10732	LI GSH1 038 U3 U3 EP	38	35	52.8	57.1	35	10.5	0.5
	LI-10733	LI GSH2 038 U3 U3 EP	38	35	52.8	60.5	43	11.5	4



HILGE - LI HE28

NEW

Operating parameters*

Temperature : -20°C / +180°C
 Pressure : < 10 bar
 Speed : < 15m/s

Pump type	Ref.	Designation	d1
0B3-XX-B3	LI-11006	LI HE28 U3 U3 V	28



IMO - LI IOACE

NEW

Operating parameters*

Temperature : -20°C / +180°C
 Pressure : < 10 bar
 Speed : < 15m/s

Pump type	Ref.	Designation	d1
IMO ACE	LI-10141	LI IOACE 022 U3 U3 V	22



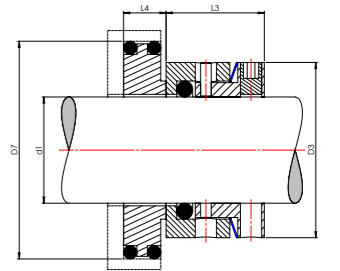
INOXPA - LI IA1

NEW

Operating parameters*

Temperature : -40°C / +200°C
 Pressure : < 8 bar
 Speed : < 18m/s

Pump type	Designation	d1	d3	d7	L3	L4
INOXPA SERIE SLR	LI IA1 028 S2 B EP FDA	28	40,2	46	21	10,1
	LI IA1 035 S2 U3U3 EP FDA	35	45,5	53	19,1	12
	LI IA1 050 S2 B EP FDA	50	63,5	70	23	12



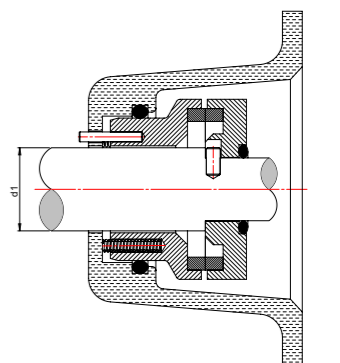
INOXPA - LI IA2

NEW

Operating parameters*

Temperature : -10°C / +120°C (E1) / -20°C / +200°C (V4)
 Pressure : < 16 bar
 Speed : < 8m/s

Pump type	Designation	d1
PROLAC R, INOXPA, PROLAC C, M25	LI IA2 016 G2 B E1 ou/or V4	16
	LI IA2 016 U6 B E1 ou/or V4	
	LI IA2 016 U6 U6 E1 ou/or V4	
	LI IA2 025 G2 B E1 ou/or V4	25
	LI IA2 025 U6 B E1 ou/or V4	
	LI IA2 025 U6 U6 E1 ou/or V4	
	LI IA2 038 G2 B E1 ou/or V4	
	LI IA2 038 U6 B E1 ou/or V4	38
	LI IA2 038 U6 U6 E1 ou/or V4	



*Choice of E1 or V4 seal to be specified.

*The maximum temperature, pressure and speed given in this document cannot be associated in any case. The stationary's ring are supplied with the mechanical seal. Material codes are available on page 45.

*The maximum temperature, pressure and speed given in this document cannot be associated in any case. The stationary's ring are supplied with the mechanical seal. Material codes are available on page 45.

INOXPA - LI IA3 **NEW**

Operating parameters*

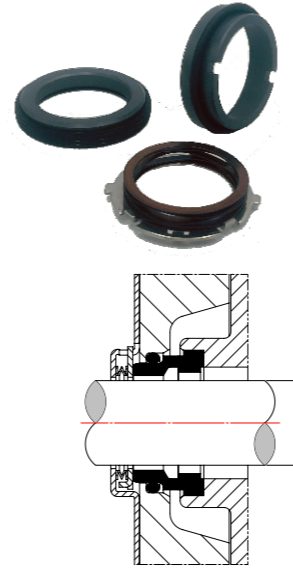
Temperature : -10°C / +120°C (E1) / -20°C/ +200°C (V4)

Pressure : < 16 bar

Speed : < 8m/s

Pump type	Designation	d1
HCP	LI IA3 025 U6 B1 E1 ou/or V4	25
	LI IA3 025 U6 U6 E1 ou/or V4	
	LI IA2 025 U2 U6 E1 ou/or V4	
	LI IA3 035 U6 B1 E1 ou/or V4	35
	LI IA3 035 U6 U6 E1 ou/or V4	
	LI IA3 035 U2 U6 E1 ou/or V4	

*Choice of E1 or V4 seal to be specified.



JOHNSON - LI JO1 **NEW**

Operating parameters*

Temperature : -40°C / +200°C

Pressure : 0 / 8 bar

Speed : 18m/s

Pump type	Ref.	Designation	d1
JOHNSON	LI-10619	LI JO1 035 S2 B EP	35
	LI-10861	LI JO1 035 U3 U3 EP	35
	LI-10265	LI JO1 028 S2 B EP	28
	LI-10600	LI JO1 045 U3 U3 EP	45
	LI-10604	LI JO1 055 S2 B EP	55
	LI-10745	LI JO1 070 U3 B EP	70



JOHNSON - LI JO2 **NEW**

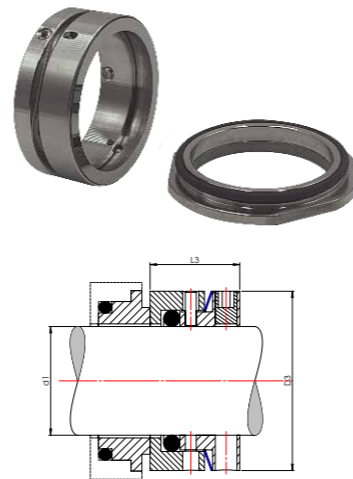
Operating parameters*

Temperature : -40°C / +200°C

Pressure : 8 bar

Speed : 18m/s

Pump type	Ref.	Designation	d1	d3	d7	L3	L4
JOHNSON CLASSIC IC	LI-10153	LI J02 030 U2 U2 EPR	30	41	40	19,1	9,3
	LI-70041	LI J02 035 U2 U2 EP	35	45,5	44,5	19,1	9,2
	LI-10150	LI J02 045 S2 B EP	50	61,9	62	21,1	10,4
	LI-10612	LI J02 050 U2 U2 V	70	88,9	85	25,8	14,1
	LI-10613	LI J02 080 U2 U2 V	80	101	95	25,8	16,2



JOHNSON - LI JNTW2 **NEW**

Operating parameters*

Temperature : -40°C / +200°C

Pressure : 10 bar

Speed : < 18m/s

Pump type	Ref.	Designation	d1
JOHNSON TOPWING TW2	LI-10298	LI JNTW2 048 U3 U3 V	48



JOHNSON - SERIE LI JOL **NEW**

Operating parameters*

Temperature : -40°C / +200°C

Pressure : 0 / 8 bar

Speed : < 15m/s

Pump type	Ref.	Designation	d1
JOHNSON OL1-OL2-OL3-OL4	LI-10661	LI JOL2 040 B U3 V	40
	LI-10649	LI JOL3 053 B U3 EP	53
	LI-10650	LI JOL3 053 U3 U3 EP	53
	LI-10650V	LI JOL3 053 U3 U3 V	53



JOHNSON - LI JO5 **NEW**

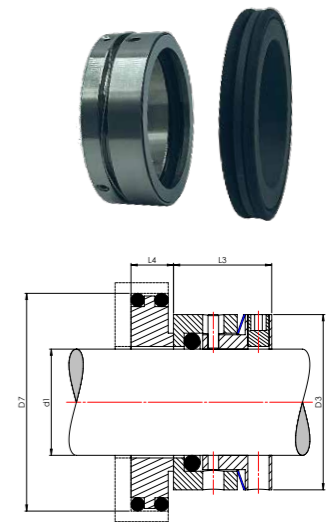
Operating parameters*

Temperature : -40°C / +200°C

Pressure : 0 / 8 bar

Speed : 10m/s

Pump type	Designation	d1	d3	L3	L4
JOHNSON TL TOPLOBE	LI JO5 030	30	41	19,1	10,3
	LI JO5 035	35	45,5	19,1	12
	LI JO5 050	50	61,9	21,1	12



*The maximum temperature, pressure and speed given in this document cannot be associated in any case. The stationary's ring are supplied with the mechanical seal. Material codes are available on page 45.

*The maximum temperature, pressure and speed given in this document cannot be associated in any case. The stationary's ring are supplied with the mechanical seal. Material codes are available on page 45.

KSB - LI KB

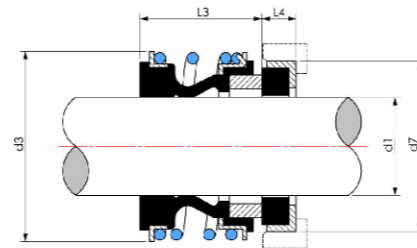
Operating parameters*

Temperature : -20°C / +120°C

Pressure : 12 bar

Speed : < 10m/s

Pump type	Ref.	Designation	d1	d3	d7	L3	L4
ETANORM ETABLOC ETACHROM	LI-10500	LI KB 022 U3 U3 EP	22	36	37	25.5	12.1
	LI-10504	LI KB 022 U3 U3 V	22	36	37	25.5	12.1
	LI-10510	LI KB 022 B U3 EP	22	36	37	25.5	12.1
	LI-10501	LI KB 028 U3 U3 EP	28	47	43	36.	14.4
	LI-10505	LI KB 028 U3 U3 V	28	47	43	36.	14.4
	LI-10508	LI KB 028 B U3 EP	28	47	43	36.	14.4
	LI-10502	LI KB 038 U3 U3 EP	38	58	56	42	13.2
	LI-10506	LI KB 038 U3 U3 V	38	58	56	42	13.2
	LI-10509	LI KB 038 B U3 EP	38	58	56	42	13.2
	LI-10503	LI KB 048 U3 U3 EP	48	69	66	50.5	9.6
	LI-10507	LI KB 048 U3 U3 V	48	69	66	50.5	9.6
LI-10511	LI KB 048 B U3 EP	48	69	66	50.5	9.6	



KSB - LI KB1

NEW

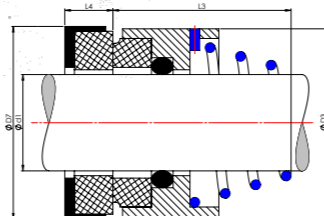
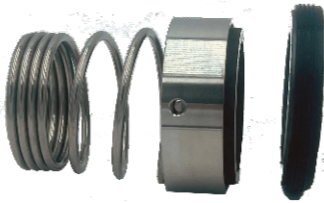
Operating parameters*

Temperature : -20°C / +120°C

Pressure : 0 / 14 bar

Speed : 18 m/s

Pump type	Ref.	Designation	d1	D3	D7	L3	L4
ETA, SY - SYA - SYN - SYT	LI-10526	LI KB1 028 U3 U3 V	28	40	43	42,5	7,5
	LI-10528	LI KB1 038 B U3 EP	38	53	56	46	9
	LI-10525	LI KB1 048 B U3 V	48	64	66	51	9



KSB - LI KB2

NEW

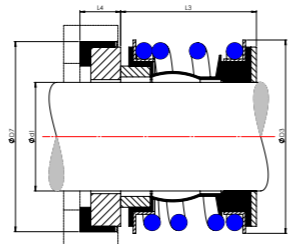
Operating parameters*

Temperature : -20°C / +120°C

Pressure : 0 / 12 bar

Speed : < 10 m/s

Pump type	Ref.	Designation	d1	D3	D7	L3	L4
AMA - KRT - SEWA	LI-10540	LI KB2 025 U3 U3 V	25	41	38	23	7,5
	LI-10542	LI KB2 028 B U3 EP	28	47	43	26,5	9
	LI-10543	LI KB2 033 U3 U3 V	33	51	48	27,5	11



LOWARA - LI LA5SV

NEW

Operating parameters*

Temperature : -40°C / +200°C

Pressure : 0 / 10 bar

Speed : 15 m/s

Pump type	Ref.	Designation	d1
SV - SVI	LI-14047	LI LA5SV 012 U3 B EP	12



LOWARA - LI LA46SV

NEW

Operating parameters*

Temperature : -40°C / +240°C

Pressure : 0 / 14 bar

Speed : 15 m/s

Pump type	Ref.	Designation	d1
SV - E-SV	LI 10751	LI LA46SV 022 U6 U6 EP	22



LOWARA - LI LAFC

NEW

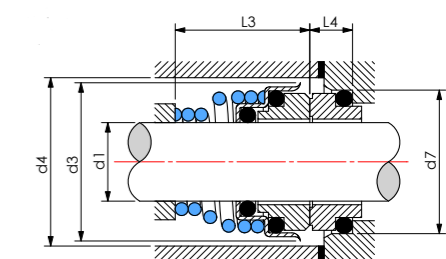
Operating parameters*

Temperature : -40°C / +200°C

Pressure : 0 / 10 bar

Speed : 15 m/s

Pump type	Ref.	Designation	d1	D3	D7	L3	L4
FC - FH - SH	LI-15086	LI LAFC 014 V B EP	14	24	25	22,2	7
	LI-15087	LI LAFC 022 V B EP	22	36	37	27,5	10
	LI-15088	LI LAFC 028 V B EP	28	42	43	32,5	10
	LI-15089	LI LAFC 033 V B EP	33	46,5	48	32,5	10



*The maximum temperature, pressure and speed given in this document cannot be associated in any case. The stationary's ring are supplied with the mechanical seal. Material codes are available on page 45.

*The maximum temperature, pressure and speed given in this document cannot be associated in any case. The stationary's ring are supplied with the mechanical seal. Material codes are available on page 45.

LOWARA - LI LAESV

NEW

Operating parameters*

Temperature : -40°C / +200°C

Pressure : 0 / 10 bar

Speed : 15 m/s



Pump type	Ref.	Designation	d1
E-SV	LI-15085	LI LAESV 016 U3 B V	16

MONDOMIX - LI MDX

Operating parameters*

Temperature : -40°C / +200°C

Pressure : 0 / 10 bar

Speed : 15 m/s



Pump type	Ref.	Designation	d1
MONDOMIX	LI-10715	ROTATIVE LI MDX 055 B V RH	55
	LI-10716	ROTATIVE LI MDX 055 B V LH	55
	LI-10717	STATIONNAIRE LI MDX1 055 U3 V	55
	LI-10718	STATIONNAIRE LI MDX2 055 U3 V	55
	LI-10719	STATIONNAIRE LI MDX3 055 U3 V	55

MOUVEX - LI MX

NEW

Operating parameters*

Temperature : -35°C / +141°C

Pressure : 0 / 25 bar

Speed : 15 m/s



Pump type	Ref.	Designation	d1
MOUVEX	LI-10257	LI MX 022 S2 B V	22
	LI-36001	LI MX 030 U2 U2 V	30
	LI-10224FEP	LI MX 035 U2 U2 FEP	35
	LI-10224	LI MX 035 U2 U2 V	35
	LI-10690	LI MX 045 U2 U2 M1	45
	LI-10653	LI MX 030 U2 U2 M1	30
	LI-10273	LI MX 035 S2 B V	35

OMAC - LI OC220

NEW

Operating parameters*

Temperature : -40°C / +180°C

Pressure : 0 / 10 bar

Speed : 15 m/s



Pump type	Ref.	Designation	d1
OMAC BA / BB	LI-15100	LI OC220 035 B U3 V	35

PACKO - LI PO1

Operating parameters*

Temperature : -20°C / +120°C

Pressure : 0 / 10 bar

Speed : 10 m/s



Pump type	Ref.	Designation	d1
PO1	LI-22078	LI PO1 033 B U3 EP	33
	LI-22144	LI PO1 033 U3 U3 EP	33
	LI-22082	LI PO1 043 B U3 EP	43
	LI-22148	LI PO1 043 U3 U3 EP	43
	LI-22092	LI PO1 070 B U3 EP	70
	LI-22158	LI PO1 070 U3 U3 EP	70

PACKO - LI PO2

Operating parameters*

Temperature : -20°C / +120°C

Pressure : 0 / 10 bar

Speed : 10 m/s



Pump type	Ref.	Designation	d1
PO2	LI-26078	LI PO2 033 B U3 EP	33
	LI-26144	LI PO2 033 U3 U3 EP	33
	LI-26082	LI PO2 043 B U3 EP	43
	LI-26148	LI PO2 043 U3 U3 EP	43
	LI-26092	LI PO2 070 B U3 EP	70
	LI-26158	LI PO2 070 U3 U3 EP	70

*The maximum temperature, pressure and speed given in this document cannot be associated in any case. The stationary's ring are supplied with the mechanical seal. Material codes are available on page 45.

*The maximum temperature, pressure and speed given in this document cannot be associated in any case. The stationary's ring are supplied with the mechanical seal. Material codes are available on page 45.

PACKO - LI PO3

Operating parameters*
 Temperature : -20°C / +120°C
 Pressure : 0 / 10 bar
 Speed : 10 m/s

Pump type	Ref.	Designation	d1
PO3	LI-10215	LI PO3 033 B U3 EP	33
	LI-10216	LI PO3 033 U3 U3 EP	33
	LI-10863	LI PO3 043 B U3 EP	43
	LI-10217	LI PO3 043 U3 U3 EP	43
	LI-10862	LI PO3 070 B U3 EP	70
	LI-10218	LI PO3 070 U3 U3 EP	70



SALMSON - LI SMAC

Operating parameters*
 Temperature : -40°C / +250°C
 Pressure : 0 / 12 bar
 Speed : 15 m/s

Pump type	Ref.	Designation	d1
SALMSON	LI-10615	LI SMAC 018 B U3 EP	18
	LI-10625	LI SMAC 028 B U3 EP	28
	LI-10858	LI SMAC 038 B U3 EP	38
	LI-10858A	LI SMAC 048 B U3 EP	48



PACKO - LI PO4

NEW

Operating parameters*
 Temperature : -20°C / +180°C
 Pressure : 0 / 25 bar
 Speed : 20 m/s

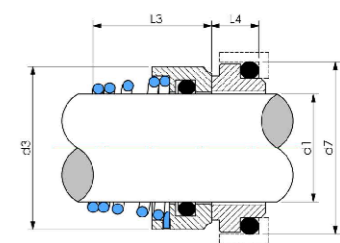
Pump type	Ref.	Designation	d1
ICP- ICP+	LI-10239E	LI P04 033 U6 U6 EP FDA	33
	LI-10239	LI P04 033 U6 U6 K2205 FDA	33
	LI-10239V	LI P04 033 U6 U6 V FDA	33



SIHI - LI SID

Operating parameters*
 Temperature : -20°C / +180°C
 Pressure : 0 / 10 bar
 Speed : 15 m/s

Pump type	Ref.	Designation	d1	d3	d7	L3	L4	Ressort/ Spring
SIHI	LI-11000	LI SID 028 S2 B EP RH	28	40	43	29	10	R
	LI-11001	LI SID 038 S2 B EP RH	38	53	56	42	13	R
	LI-11002	LI SID 038 S2 B EP LH	38	53	56	42	13	L
	LI-11019	LI SID 043 S2 B EP RH	43	59	61	47	13	R
	LI-11020	LI SID 043 S2 B EP LH	43	59	61	47	13	L



POMAC - LI IPAM IPPT

NEW

Operating parameters*
 Temperature : -20°C / +180°C
 Pressure : 0 / 25 bar
 Speed : 20 m/s

Pump type	Ref.	Designation	d1
POMAC	LI-10211	LI IPAM 040 U2 U2 V	40
	LI-10212	LI IPPT 040 U2 U2 V	40



SOMEFLU - LI SU

NEW

Operating parameters*
 Temperature : -45°C / +120°C
 Pressure : 0 / 13 bar
 Speed : 16 m/s

Pump type	Ref.	Designation	d1
SOMEFLU HMPS	LI-10254	LI SU 022 PTFE U3 VITON	22



*The maximum temperature, pressure and speed given in this document cannot be associated in any case. The stationary's ring are supplied with the mechanical seal. Material codes are available on page 45.

*The maximum temperature, pressure and speed given in this document cannot be associated in any case. The stationary's ring are supplied with the mechanical seal. Material codes are available on page 45.

TSURUMI - LI TISP

NEW

Operating parameters*

Temperature : -40°C / +150°C

Pressure : 0 / 8 bar

Speed : 10 m/s

Pump type	Ref.	Designation	d1
TSURUMI NKZ LH	LI-15072	LI TISP 020 U3 U3 - U3 U3 V	20
	LI-15003	LI TISP 030 U3 U3 V/B U3 V	30
	LI-15073	LI TISP 035 U3 U3 - U3 U3 V	35
	LI-15074	LI TISP 25/30 U3 U3 - U3 U3 V	25/30



TUCHENHAGEN - LI TN1

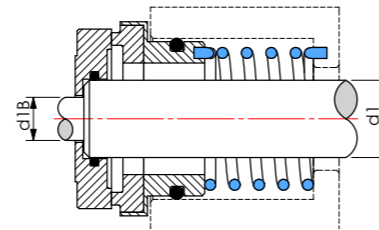
Operating parameters*

Temperature : -20°C / +200°C

Pressure : 0 / 25 bar

Speed : 20 m/s

Pump type	Ref.	Designation	d1	d1B
TUCHENHAGEN AR, AG, ZR, ZG	LI-10723	LI TN1 012 B U3 EP	16	12
	LI-10724	LI TN1 018 B U3 EP	25	18
	LI-10725	LI TN1 021 B U3 EP	25	21
	LI-10726	LI TN1 028 B U3 EP	36	28
	LI-10727	LI TN1 040 B U3 EP	50	40



TUCHENHAGEN - LI TN2

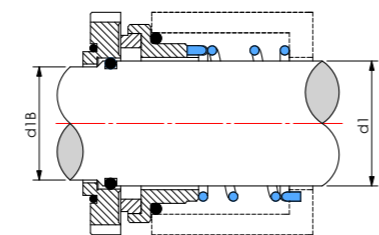
Operating parameters*

Temperature : -20°C / +200°C

Pressure : 0 / 25 bar

Speed : 20 m/s

Pump type	Ref.	Designation	d1	d1B
TUCHENHAGEN VPB, VPC, VPD	LI-10728	LI TN2 022 B U3 EP	22	18
	LI-10729	LI TN2 030 B U3 EP	30	22
	LI-10730	LI TN2 035 B U3 EP	35	30



TUCHENHAGEN - LI TN4

NEW

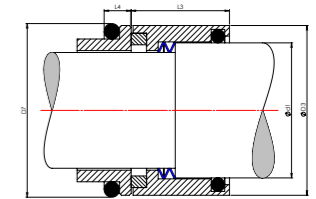
Operating parameters*

Temperature : -40°C / +200°C

Pressure : 0 / 14 bar

Speed : 10 m/s

Pump type	Ref.	Designation	d1	D3	D7	L3	L4
TUCHENHAGEN TP VARIFLOW	LI-10737	LI TN4 030 B U3 EP	30	39	40	24,5	7
	LI-10737A	LI TN4 035 U3 U3 EP	35	44	45	25,5	7



TUCHENHAGEN - LI TN5D

NEW

Operating parameters*

Temperature : -40°C / +220°C

Pressure : 0 / 25 bar

Speed : 25 m/s

Pump type	Ref.	Designation	d1
TP, TPS	LI-15021	LI TN5D 030 U6 U6 EP// B U6 EP FDA	30



VICKING - LI VG

NEW

Operating parameters*

Temperature : -20°C / +180°C

Pressure : 0 / 10 bar

Speed : 15 m/s

Pump type	Ref.	Designation	d1
G432/G745/GG475	LI-10631	LI ASP11 028,66 U3 U3 V	28,66
	LI-10872	LI ASP11 036,5 U3 U3 V	36,5



*The maximum temperature, pressure and speed given in this document cannot be associated in any case. The stationary's ring are supplied with the mechanical seal. Material codes are available on page 45.

*The maximum temperature, pressure and speed given in this document cannot be associated in any case. The stationary's ring are supplied with the mechanical seal. Material codes are available on page 45.

GAMME 500 500 RANGE



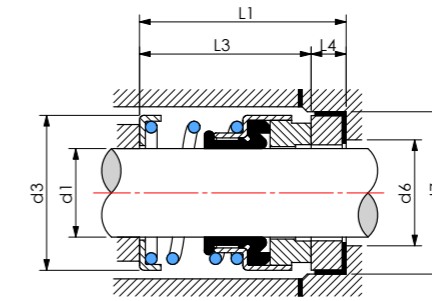
TYPE 511-513

Operating parameters*

Temperature :
-20°C / +120°C

Pressure :
0 / 10 bar

Speed :
10 m/s



				TYPE 511		TYPE 513		
d1	d3	d6	d7	L1	L3	L1	L3	L4
10	23	16	24,6	52,4	43,7	34,1	25,4	8,7
12	23,9	19,1	27,8	52,4	43,7	34,1	25,4	8,7
13	23,9	19	27,8	52,4	43,7	34,1	25,4	8,7
14-15-16	26,7	22,2	31	54	43,7	35,7	25,4	10,3
18-19	31,1	25,4	34,2	54	43,7	35,7	25,4	10,3
20	33,4	27	35,7	54	43,7	35,7	25,4	10,3
22	33,4	28,6	37,3	54	43,7	35,7	25,4	10,3
24 - 25	39,2	31,8	40,5	54	43,7	35,7	25,4	10,3
28	46,3	35,7	47,6	72,3	60,3	45,3	33,3	12
30 - 32	49,4	38,9	50,8	72,3	60,3	45,3	33,3	12
33 - 35	52,6	42,1	54	72,3	60,3	45,3	33,3	12
38	55,8	45,2	57,2	72,3	60,3	45,3	33,3	12
40	62,2	48,8	60,4	72,3	60,3	45,3	33,3	12
42 - 43 -44- 45	66	51,6	63,5	82,6	70,6	52,5	40,5	12
48	66,6	54,8	66,7	82,6	70,6	52,5	40,5	12
50	71,7	58	69,9	82,6	70,6	52,5	40,5	13,5
53	73,3	62	73,1	84,5	71	54,5	41	13,5
55	78,4	65	76,2	84,5	71	54,5	41	13,5
58 - 60	82	68	79,4	84,5	71	54,5	41	13,5
63	84,9	71,2	82,6	84,5	71	54,5	41	13,5
65	88,4	78,4	92,1	85,9	70	64,9	49	15,9
70	92,6	81,1	95,3	85,9	70	64,9	49	15,9
73	94,9	84,5	98,5	88,9	73	64,9	49	15,9
75	101,9	88,1	101,7	88,9	73	64,9	49	15,9
80	104	97	114,3	99	79	76	56	20
85	108	100	117,5	99	79	76	56	20
90	112	107	123,9	103	83	79	59	20
95	119	110	127	103	83	79	59	20
100	124	116	133,4	106	86	82	62	20

*The maximum temperature, pressure and speed given in this document cannot be associated in any case. The stationary's ring are supplied with the mechanical seal. Material codes are available on page 45.

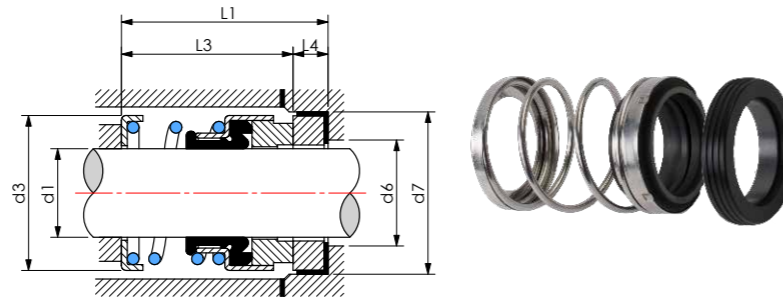
TYPE 512 **NEW**

Operating parameters*

Temperature :
-20°C / +120°C

Pressure :
0 / 10 bar

Speed :
10 m/s



d1	d3	d7	L3	L4
12,0	21,7	23,0	23,9	8,60
14,0	24,0	25,0	26,4	8,60
16,0	26,7	27,0	26,4	8,60
18,0	30,5	33,0	27,5	10,0
20,0	33,5	35,0	27,5	10,0
22,0	33,5	37,0	27,5	10,0
24,0	38,0	39,0	30,0	10,0
25,0	39,5	40,0	30,0	10,0
28,0	42,0	43,0	32,5	10,0
30,0	44,0	45,0	32,5	10,0
32,0	46,0	48,0	32,5	10,0
33,0	46,0	48,0	32,5	10,0
35,0	49,0	50,0	32,5	10,0
38,0	53,0	56,0	34,0	11,0
40,0	56,0	58,0	34,0	11,0
43,0	58,8	61,0	34,0	11,0
45,0	61,0	63,0	34,0	11,0
48,0	64,0	66,0	34,0	11,0
50,0	66,0	70,0	34,5	13,0
53,0	70,7	73,0	34,5	13,0
55,0	71,7	75,0	34,5	13,0
58,0	79,6	78,0	39,5	13,0
60,0	78,5	80,0	39,5	13,0
63,0	81,5	83,0	39,5	13,0
65,0	84,5	85,0	39,5	13,0
68,0	89,7	90,0	37,2	15,3
70,0	89,7	92,0	44,7	15,3
75,0	97,0	97,0	44,7	15,3

*The maximum temperature, pressure and speed given in this document cannot be associated in any case. The stationary's ring are supplied with the mechanical seal. Material codes are available on page 45.

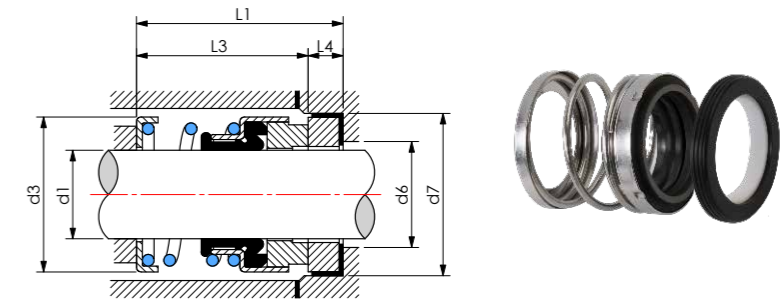
TYPE 514 **NEW**

Operating parameters*

Temperature :
-20°C / +120°C

Pressure :
0 / 10 bar

Speed :
10 m/s



d1	d3	d7	L3	L4
12,7	24,0	25,4	20,6	7,9
15,8	26,7	31,7	22,2	10,3
19,1	31,2	34,9	22,2	10,3
22,2	33,5	38,1	23,8	10,3
25,4	43,2	41,2	25,4	11,1
28,6	46,5	44,4	26,9	11,1
31,7	49,5	47,6	26,9	11,1
34,9	52,7	50,8	28,5	11,1
38,1	56,0	53,9	28,5	11,1
41,2	62,2	60,3	34,9	12,7
44,4	66,0	63,5	34,9	12,7
47,6	66,0	66,6	38,1	12,7
50,8	73,0	69,8	38,1	12,7
53,9	73,5	76,2	42,8	14,2
57,1	79,6	79,3	42,8	14,2
60,3	82,0	82,5	46,0	14,2
63,5	85,0	85,7	46,0	14,2
66,6	88,5	85,7	49,2	15,9
69,8	92,7	88,9	49,2	15,9
73,0	95,0	95,2	52,3	15,9
76,2	102,0	98,4	52,3	15,9

*The maximum temperature, pressure and speed given in this document cannot be associated in any case. The stationary's ring are supplied with the mechanical seal. Material codes are available on page 45.

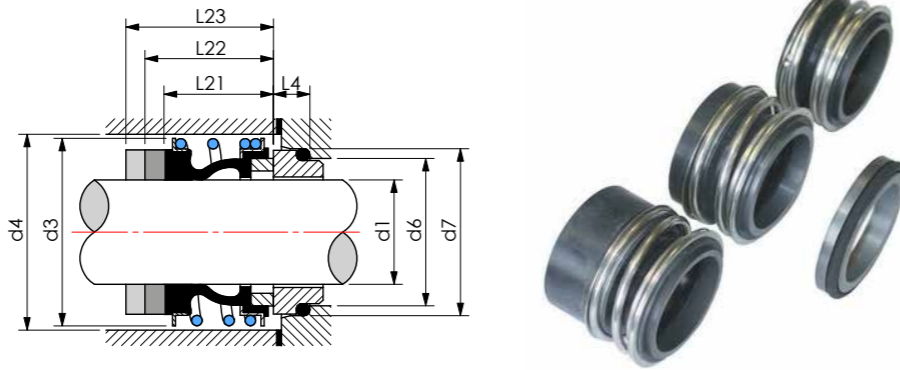
TYPE 521-522-523

Operating parameters*

Temperature :
-20°C / +120°C

Pressure :
0 / 10 bar

Speed :
10 m/s



					TYPE 521	TYPE 522	TYPE 523		
d1	d3	d4	d6	d7	L21	L22	L23	L4	
10	24	25	17	21	14,5	25,9	33,4	6,6	
12	24	25	19	23	15	25,9	33,4	6,6	
14	28	29	21	25	17	28,4	33,4	6,6	
16	28	29	23	27	17	28,4	33,4	6,6	
18	31	-	27	33	19,9	30	37,5	7,5	
20	36	37	29	35	21,5	30	37,5	7,5	
22	36	37	31	37	21,5	30	37,5	7,5	
24	40,5	42	33	39	22,5	32,5	42,5	7,5	
25	41	42	34	40	23	32,5	42,5	7,5	
28	47	42	34	43	26,5	35	42,5	7,5	
30	47	48	37	45	26,5	35	42,5	7,5	
32 - 33	51	52	42	48	27,5	35	47,5	7,5	
35	55	57	44	50	28,5	35	47,5	7,5	
38	58	60	49	56	30	36	46	9	
40	60	62	51	58	30	36	46	9	
43	63	65	54	61	30	36	51	9	
45	65	67	56	63	30	36	51	9	
48	69	71	59	66	30,5	36	51	9	
50	71	73	62	70	30,5	38	50,5	9,5	
53	76	78	65	73	33	36,5	59	11	
55	78	80	67	75	35	36,5	59	11	
58	82	84	70	78	37	41,5	59	11	
60	85	87	72	80	38	41,5	59	11	
65	90	92	77	85	40	41,5	69	11	
68	94	96	81	90	40	48,7	68,7	11,3	
70	97	99	83	92	40	48,7	68,7	11,3	
75	102	105	88	97	40	48	68,7	11,3	
80	108	111	95	105	40	48	78	12	
85	117	120	100	110	41	48	76	14	
90	126	129	105	115	45	51	76	14	
95	131	134	110	120	46	51	76	14	
100	136	139	115	125	47	51	76	14	

*The maximum temperature, pressure and speed given in this document cannot be associated in any case. The stationary's ring are supplied with the mechanical seal. Material codes are available on page 45.

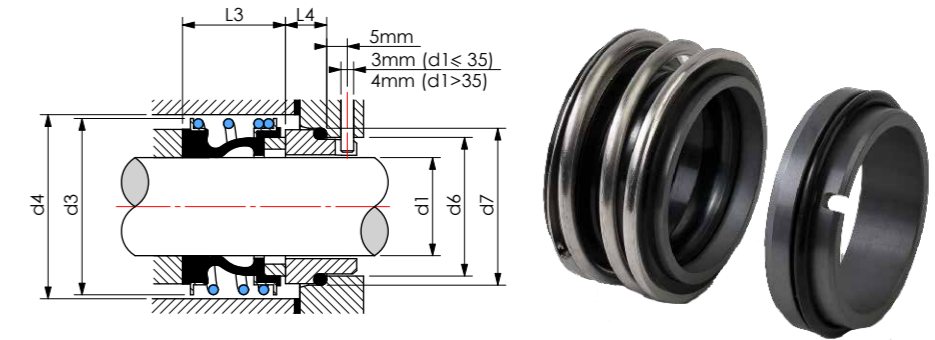
TYPE 524

Operating parameters*

Temperature :
-20°C / +120°C

Pressure :
0 / 10 bar

Speed :
10 m/s



d1	d3	d4	d6	d7	L3	L4
10	24	25	17	21	14,5	10
12	24	25	19	23	15	10
14	28	29	21	25	17	10
16	28	29	23	27	17	10
18	31	32	27	33	19,5	11,5
20	36	37	29	35	21,5	11,5
22	36	37	31	37	21,5	11,5
24	40,5	42	33	39	22,5	11,5
25	41	42	34	40	23	11,5
28	47	48	37	43	26,5	11,5
30	47	48	39	45	26,5	11,5
32	51	52	42	48	27,5	11,5
33	51	52	42	48	27,5	11,5
35	55	57	44	50	28,5	11,5
38	58	60	49	56	30	14
40	60	62	51	58	30	14
43	63	65	54	61	30	14
45	65	67	56	63	30	14
48	69	71	59	66	30,5	14
50	71	73	62	70	30,5	15
53	76	78	65	73	33	15
55	78	80	67	75	35	15
58	82	84	70	78	37	15
60	85	87	72	80	38	15
65	90	92	77	85	40	15
68	94	96	81	90	40	18
70	97	99	83	92	40	18
75	102	105	88	97	40	18
80	108	111	95	105	40	18,2
85	117	120	100	110	41	18,2
90	126	129	105	115	45	18,2
95	131	134	110	120	46	17,2
100	136	139	115	125	47	17,2

*The maximum temperature, pressure and speed given in this document cannot be associated in any case. The stationary's ring are supplied with the mechanical seal. Material codes are available on page 45.

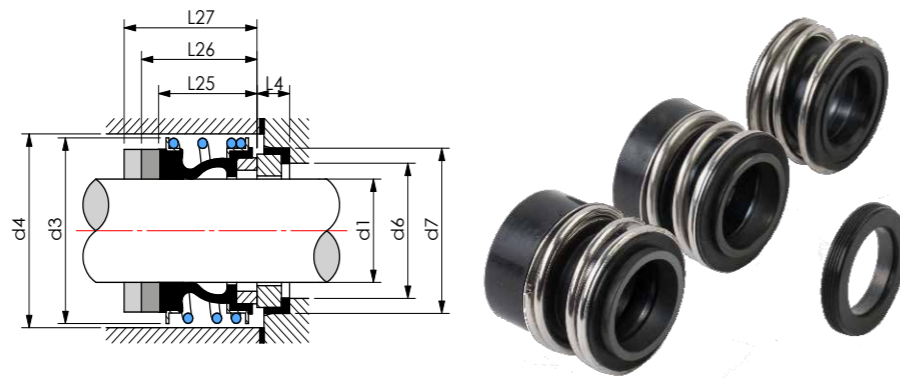
TYPE 525-526-527

Operating parameters*

Temperature :
-20°C / +120°C

Pressure :
0 / 10 bar

Speed :
10 m/s



					TYPE 525	TYPE 526	TYPE 527		
d1	d3	d4	d6	d7	L25	L26	L27	L4	
10	24	25	17	21	14,5	25,9	33,4	6,6	
12	24	25	19	23	15	25,9	33,4	6,6	
14	28	29	21	25	17	28,4	33,4	6,6	
16	28	29	23	27	17	28,4	33,4	6,6	
18	31	-	27	33	19,9	30	37,5	7,5	
20	36	37	29	35	21,5	30	37,5	7,5	
22	36	37	31	37	21,5	30	37,5	7,5	
24	40,5	42	33	39	22,5	32,5	42,5	7,5	
25	41	42	34	40	23	32,5	42,5	7,5	
28	47	48	37	43	26,5	35	42,5	7,5	
30	47	48	37	45	26,5	35	42,5	7,5	
32 - 33	51	52	42	48	27,5	35	47,5	7,5	
35	55	57	44	50	28,5	35	47,5	7,5	
38	58	60	49	56	30	36	46	9	
40	60	62	51	58	30	36	46	9	
43	63	65	54	61	30	36	51	9	
45	65	67	56	63	30	36	51	9	
48	69	71	59	66	30,5	36	51	9	
50	71	73	62	70	30,5	38	50,5	9,5	
53	76	78	65	73	33	36,5	59	11	
55	78	80	67	75	35	36,5	59	11	
58	82	84	70	78	37	41,5	59	11	
60	85	87	72	80	38	41,5	59	11	
65	90	92	77	85	40	41,5	69	11	
68	94	96	81	90	40	48,7	68,7	11,3	
70	97	99	83	92	40	48,7	68,7	11,3	
75	102	105	88	97	40	48	68,7	11,3	
80	108	111	95	105	40	48	78	12	
85	117	120	100	110	41	48	76	14	
90	126	129	105	115	45	51	76	14	
95	131	134	110	120	46	51	76	14	
100	136	139	115	125	47	51	76	14	

*The maximum temperature, pressure and speed given in this document cannot be associated in any case. The stationary's ring are supplied with the mechanical seal. Material codes are available on page 45.

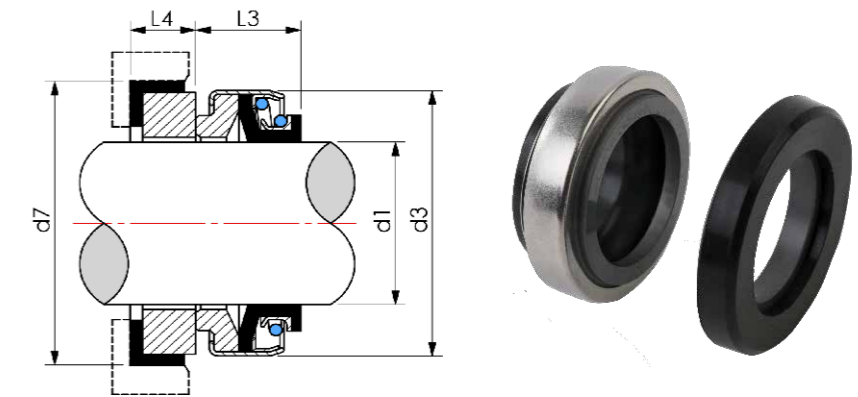
TYPE 528

Operating parameters*

Temperature :
-20°C / +120°C

Pressure :
0 / 6 bar

Speed :
10 m/s



d1	d3	d7	L3	L4
8	20	22	11	4
8A	20	26	11	5,5
8B	24	26	11	8
10	24	26	11	8
11	24	26	11	8
12A	24	26	11	8
12B	24	26	12,8	8
13	24	26	12,8	8
14A	32	29,5	12,8	8
14B	28	28,5	12,8	7,5
15	32	29,5	12,8	8
16A	32	29,5	12,8	8
16B	39	38	12,8	8
17	39	42	12,8	8
18	39	42	12,8	8
19	39	42	12,8	8
20A	39	42	12,8	8
20B	42	45	12,8	10
22	42	45	12,8	10
23	47	50	13,5	10
24	47	50	13,5	10
25A	42	50	13,5	10
25B	47	50	13,5	10
26	47	50	13,5	10
27	47	50	13,5	10
28	54	57	15	10
30	54	57	15	10
32	54	57	15	10
35	60	63	16	10
38	65	68	18	12
40	65	68	18	12
45	70	73	20	12
50	85	88	23	15
60	105	110	30	15
65	105	110	30	15
70	105	110	32	15

*The maximum temperature, pressure and speed given in this document cannot be associated in any case. The stationary's ring are supplied with the mechanical seal. Material codes are available on page 45.

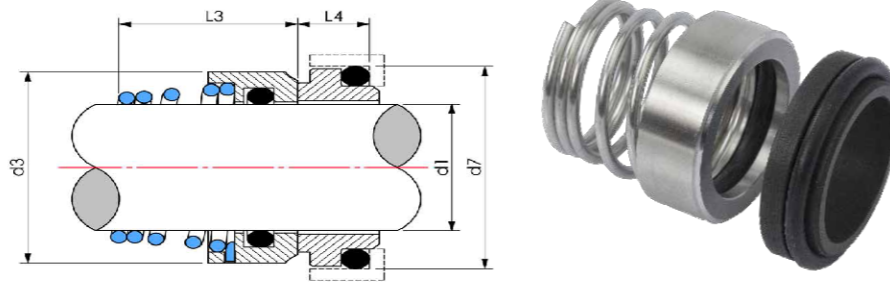
TYPE 529-530

Operating parameters*

Temperature :
-20°C / +180°C

Pressure :
0 / 10 bar

Speed :
10 m/s



529 (VERSION DIN)					530 (VERSION NON DIN)			
d1	d3	d7	L3	L4	d3	d7	L3	L4
10	19	21	15	7	19	18,1	15	5,5
11	-	-	-	-	20	20,6	18	5,5
12	21	23	18	7	21	20,6	18	5,5
13	-	-	-	-	23	23,1	22	6
14	23	25	22	7	23	23,1	22	6
15	-	-	-	-	24	26,9	22	7
16	26	27	23	7	26	26,9	23	7
18	29	33	24	10	29	30,9	24	8
19	-	-	-	-	31	30,9	25	8
20	31	35	25	10	31	30,9	25	8
21	-	-	-	-	33	35,4	25	8
22	33	37	25	10	33	35,4	25	8
23	-	-	-	-	35	35,4	27	8
24	35	39	27	10	35	35,4	27	8
25	36	40	27	10	36	38,2	27	8,5
26	-	-	-	-	36	38,2	27	8,5
28	40	43	29	10	40	43,3	29	9
30	43	45	30	10	43	43,3	30	9
32	46	48	30	10	46	43,3	30	9
33	46	48	39	10	46	53,5	39	11,5
34	-	-	-	-	49	53,5	39	11,5
35	49	50	39	10	49	53,5	39	11,5
36	-	-	-	-	49	53,5	39	11,5
38	53	56	42	13	53	60,5	39	11,5
40	56	58	42	13	56	60,5	39	11,5
42	-	-	-	-	59	60,5	39	11,5
43	59	61	47	13	59	60,5	39	11,5
44	-	-	-	-	61	65,5	41	11,5
45	61	63	47	13	61	65,5	41	11,5
48	64	66	47	13	64	65,5	41	11,5
50	66	70	46	14	66	72,5	45	11,5
53	69	73	56	14	-	-	-	-
55	71	75	56	14	71	72,5	47	11,5
58	76	78	56	14	-	-	-	-
60	78	80	56	14	78	79,3	49	11,5
63	81	83	56	14	-	-	-	-
65	84	85	66	14	84	84,5	51	11,5
68	87	90	64	16	-	-	-	-
70	89	92	64	16	89,7	89,5	51	11,5
75	98	97	64	16	98	94,5	57	11,5
80	100	105	72	18	100	99,5	59	11,5
85	107,5	110	72	18	107,5	105,5	59	13,5
90	111	115	72	18	111	111,5	62	13,5
95	119	120	72	18	119	116,5	62	13,5
100	123,8	125	72	18	124	119,5	75	13,5

*Choice of right or left hand spring to be specified.

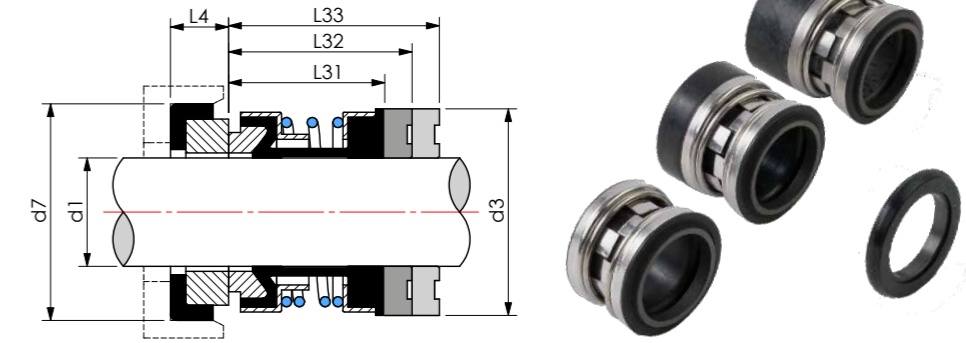
TYPE 531-532-533

Operating parameters*

Temperature :
-20°C / +120°C

Pressure :
0 / 10 bar

Speed :
10 m/s



			531	532	533		
d1	d3	d7	L31	L32	L33	L4	
10	20	21	15	27,5	35	5	
12	22	23	15	26,5	34	6	
14	24	25	15	29	34	6	
15	25	26	15	29	34	6	
16	26	27	15	29	34	69	
18	32	33	20	31,5	39	6	
20	34	35	20	31,5	39	6	
22	36	37	20	31,5	39	6	
24	38	39	20	34	44	6	
25	39	40	20	34	44	6	
28	42	43	26	36,5	44	6	
30	44	45	26	35,5	43	7	
32	46	48	26	35,5	48	7	
33	47	48	26	35,5	48	7	
35	49	50	26	34,5	47	8	
38	54	56	26	37	47	8	
40	56	58	30	37	47	8	
43	59	61	30	37	52	8	
45	61	63	30	37	52	8	
48	64	66	30	35	50	10	
50	66	70	30	37,5	50	10	
53	69	73	30	37,5	50	10	
55	71	75	30	37,5	50	10	
58	78	78	30	42,5	60	10	
60	80	80	33	40,5	58	12	
63	83	83	33	40,5	58	12	
65	85	85	33	40,5	68	12	
68	88	90	33	40,5	68	12	
70	90	92	33	48	68	12	
75	99	97	40	48	68	12	
80	104	105	40	47,5	77,5	12,5	
85	109	110	40	47,5	77,5	12,5	
90	114	115	40	52,5	77,5	12,5	
95	119	120	40	52,5	77,5	12,5	
100	124	125	40	52,5	77,5	12,5	

*The maximum temperature, pressure and speed given in this document cannot be associated in any case. The stationary's ring are supplied with the mechanical seal. Material codes are available on page 45.

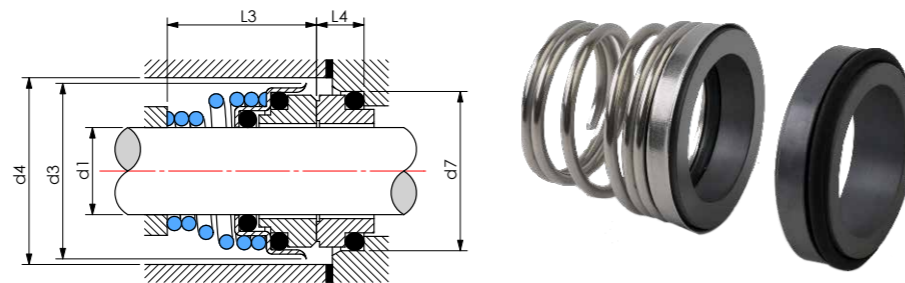
TYPE 534-535

Operating parameters*

Temperature :
-20°C / +150°C

Pressure :
0 / 10 bar

Speed :
10 m/s



d1	534 (VERSION DIN)				535 (VERSION NON DIN)			
	d3	d7	L3	L4	d3	d7	L3	L4
10	20	21	15	7	19,5	18,1	15	5,5
11	-	-	-	-	22	20,6	18	5,5
12	22	23	18	7	23	20,6	18	5,5
13	-	-	-	-	25	23,1	22	6
14	24	25	22	7	25	23,1	22	6
15	-	-	-	-	28,7	26,9	22	7
16	26	27	23	7	28,7	26,9	23	7
17	-	-	-	-	28,7	26,9	23	7
18	32	33	24	10	32,7	30,9	24	8
19	-	-	-	-	32,7	30,9	25	8
20	33	35	25	10	32,7	30,9	25	8
21	-	-	-	-	37,5	35,4	25	8
22	36	37	25	10	37,5	35,4	25	8
23	-	-	-	-	37,5	35,4	27	8
24	37,4	39	27	10	37,5	35,4	27	8
25	38	40	27	10	40	38,2	27	8,5
28	42	43	29	10	45,5	43,3	29	9
29	-	-	-	-	45,5	43,3	30	9
30	44	45	30	10	45,5	43,3	30	9
32	45,5	48	30	10	45,5	43,3	30	9
33	46,5	48	39	10	48	53,5	39	11,5
35	49	50	39	10	50	53,5	39	11,5
38	56	56	42	13	56	60,5	39	11,5
40	58	58	42	13	58	60,5	39	11,5

*Choix du sens du ressort à gauche ou à droite à préciser. *Choice of right or left hand spring to be specified.

MECHANICAL SEAL MATERIAL SELECTION

FRICITION FACES

B : Carbone : Carbon

Economic, resistant to thermal shocks, corrosion and temperature (180°), tribologic quality, lightness (density from 1.8 to 2.5), poor thermal dilatation.

V : Ceramic

White color, pure material resistant to wear and temperature at 120°, perfect for water treatment but quite limited in case of thermal shocks.

S2 : Stainless steel

Chemical resistant, can be used for water, hydrocarbon, oils and chemical products.

U3 : Silicon carbide

High quality due to its hardness, corrosion and chemical resistance, often used for fluids with solids in suspension.

U2 : Tungsten carbide

High hardness and tenacity, excellent surface (after lapping : Ra of 0.015 microns), ideal for applications with a ph up to 6.

MATERIALS FOR RUBBER OR O'RINGS

EP : EPDM - EP FDA : EPDM approved FDA - E1 : EPDM approved FDA and EC 1935/2004

Perfect for hot water (pressurized or demineralized), vaccum, acetone, spirits,... insensitive to radiation and resisant to temperatures from -40° to +150°

V : VITON - V FDA : Viton Approved FDA - V4 : Viton Approved FDA and EC 1935/2004

The most popular : chemical resistance, temperature from -15° to 200°

INCH		MM	INCH		MM
< 1"	-	-	2"	2	50,8
1/8"	0.125	3.175	2.1/8"	2.125	53.975
1/4"	0.25	6.35	2.1/4"	2.25	57.15
3/8"	0.375	9.525	2.3/8"	2.375	60.325
1/2"	0.5	12.7	2.1/2"	2.5	63.5
5/8"	0.625	15.875	2.5/8"	2.625	66.675
3/4"	0.75	19.05	2.3/4"	2.75	69.85
7/8"	0.875	22.225	2.7/8"	2.875	73.025
1"	1	25.4	3"	3	76.2
1.1/8"	1.125	28.575	3.1/8"	3.125	79.375
1.1/4"	1.25	31.75	3.1/4"	3.25	82.55
1.3/8"	1.375	34.925	3.3/8"	3.375	85.725
1.1/2"	1.5	38.1	3.1/2"	3.5	88.9
1.5/8"	1.625	41.275	3.5/8"	3.625	92.075
1.3/4"	1.75	44.5	3.3/4"	3.75	95.25
1.7/8"	1.875	47.625	3.7/8"	3.875	98.425
-	-	-	4"	4	101.6

*The maximum temperature, pressure and speed given in this document cannot be associated in any case. The stationary's ring are supplied with the mechanical seal. Material codes are available on page 45.

OEM IDENTIFICATION GUIDE

ROTARY PART



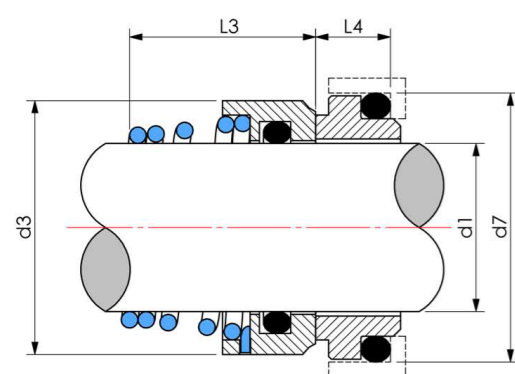
Please precise the hand spring: right left



STATIONNARY PART



DIMENSIONS



Rotary Part:
 d1 (shaft diameter) =
 d3 =
 L3 (free/compressed) =

Stationary:
 d7 =
 L4 =

Materials:
 stationary face =
 rotary face =
 elastomers
 OR product 's Type =
 or product:

DON'T THROW YOUR MECHANICAL SEALS AWAY ANYMORE... SAVE MONEY BY REPAIRING THEM!



REFURBISHMENT

- All brands repair
- Mechanical seals for pumps
- Manufacturer's mechanical seals
- Cartridge mixer seal
- Rotating unions



TECHNICAL EXPERTISE

- SAQR-ATEX certification
- Dynamic and static testing
- 30 years of experience



RESPONSIVE

- Quotes within 24/48 hours
- On demand repair service
- Flexible delay times according to urgency



SERVICES

- On-site intervention and expertise
- Expertise report
- Reliability of your equipment



CSR PROCESS

- Recycle your mechanical seals
- Extends the life of your equipment
- Promotes savings



Repair exemples



KLINGER The Netherlands

Nikkelstraat 2
3067 GR Rotterdam
info@klinger.nl
T +31 (0)10 455 75 55

KLINGER Service Center Limburg

Business Park Stein 208A
6181 MB Elsloo
 limburg@klinger.nl
T +31 (0)46 7600 600