

# DOUBLE ISOLATED AND BLEED TRAP VALVE STATION

Type TVS6000UD 10-in-1 from  
Armstrong International



# TVS 6000UD 10-IN-1 TRAP VALVE STATION ABOUT ARMSTRONG INTERNATIONAL

Founded in 1900, Armstrong International is a privately held, fifth-generation, family-owned company. Based on our unique heritage of know-how, experience and insight reaching back more than a century, we offer unique solutions to improve the efficiency of your thermal systems. Historically innovative, Armstrong invented the inverted bucket steam trap and owns more than 70 patents on exceptional products, technology and software.

**The TVS 6000UD is a double-isolation-and-bleed trap valve station that maximizes safety and saves space, time and money.**

**US 62/945,958  
PATENT PENDING**

**3-YEAR WARRANTY**

Connection flexibility  
(SW, BW, BSPT, NPT  
flanged EN or ANSI)

Bleed of Inlet Valve

Test Valve at Trap Outlet

Double Isolation Inlet and  
Outlet Piston Valves



Bleed of Outlet Valve

Integral Strainer and  
Blowdown Valve at Trap Inlet

Universal connector fits all steam trap technologies

# SAFETY GUARANTEED

The TVS 6000UD eliminates the risks associated with replacing steam traps and increases operator safety:

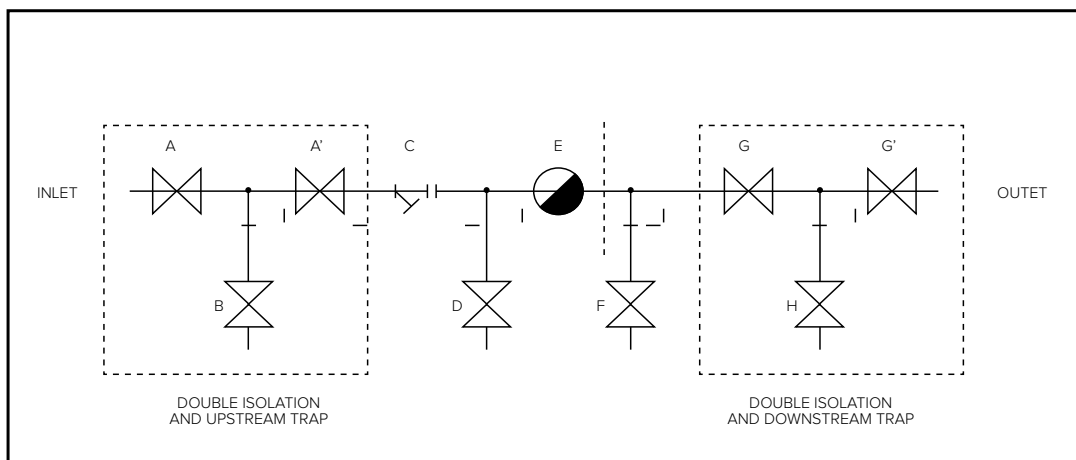
- | Using one handwheel for simultaneous shut-off at two isolation points eliminates the risk of operational error; however, when there are double block and bleed configurations, individual shut-off for each isolation valve is required
- | Any leakage at the first or second isolation point is visible
- | If there is inline leakage at the first or second isolation point, steam and condensate are vented to the atmosphere

# REDUCED COST

The TVS 6000UD contains 10 different parts within a single unit. It is the most affordable and compact solution on the market and features:

- | Streamlined mounting
- | Fewer weld points and equipment to be purchased separately

## TVS 6000UD - LEFT-RIGHT (L/R) VERSION



### UPSTREAM

- A: FIRST INLET ISOLATION VALVE
- A': SECOND INLET ISOLATION VALVE
- B: BLEED INLET
- C: STRAINER
- D: DEPRESSURIZING VALVE
- E: STEAM TRAP CONNECTION

### DOWNSTREAM

- F: TEST VALVE
- G: FIRST OUTLET ISOLATION VALVE
- G': SECOND OUTLET ISOLATION VALVE
- H: BLEED OUTLET

## BENEFITS:

- | Safe steam trap replacement is guaranteed, specifically due to one handwheel being used to simultaneously shut off two isolation points
- | Replace parts without modifying existing pipework
- | A single trap valve station instead of 10 different parts
- | Piston valve technology specifically designed for steam applications, making repair a breeze

# NO PIPING MODIFICATIONS

With the flanged version of the TVS 6000UD, existing components can be replaced without modifying pipework:

- | The PN40 has a standard footprint (DN15 and DN20 are 150 mm and DN25 is 160 mm)
- | Custom footprints for existing installations are available upon request
- | Avoids the cost of modifying pipework
- | Reduced shutdown



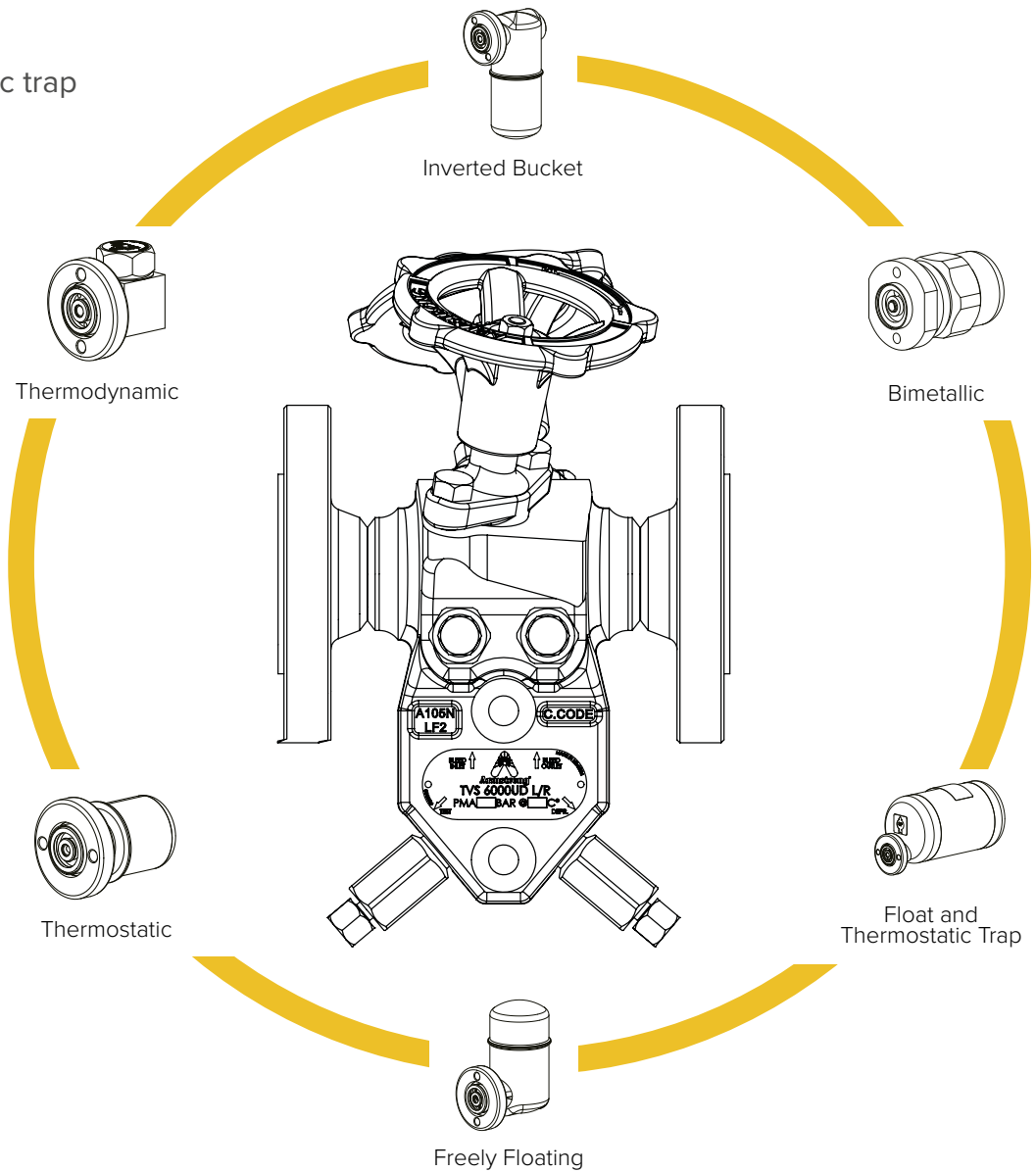
**When comparing the TVS 6000UD design to a trap valve station assembled onsite, the choice is clear:**

Repairing a trap valve station assembled onsite requires you to:	With the TVS 6000UD:
<ul style="list-style-type: none"> <li>• Purchase 8 high-quality valves and 1 strainer.</li> <li>• Purchase a steam trap, which must be mounted to a connector.</li> </ul>	<ul style="list-style-type: none"> <li>• Purchase one set of parts to replace all valves, strainer and steam traps onsite.</li> </ul>
<ul style="list-style-type: none"> <li>• Pay for onsite disassembly.</li> <li>• Dispose of old parts.</li> <li>• Take measurements and modify pipework.</li> </ul>	<ul style="list-style-type: none"> <li>• Disassemble one or two parts from the existing installation and assemble and install new ones onsite (if threaded or welded).</li> <li>• Flanged footprints are standard or designed to fit (custom flanges).</li> </ul>
<ul style="list-style-type: none"> <li>• Obtain a fire permit for welding (up to 28 weld points).</li> </ul>	<ul style="list-style-type: none"> <li>• Welding is reduced, with only two weld points instead of the 28 used in conventional designs.</li> </ul>
<ul style="list-style-type: none"> <li>• Perform tests and assessments to ensure the completed work is compliant.</li> </ul>	<ul style="list-style-type: none"> <li>• The 10-in-1 trap valve station is compliant by default because it is manufactured according to our procedures and certifications.</li> </ul>

# REPLACE STEAM TRAPS WITHOUT SHUTTING DOWN

The TVS 6000UD's Universal Connector makes it quick and easy to replace steam traps. We offer all technologies in use:

- | Inverted bucket
- | Float and thermostatic trap
- | Freely floating
- | Bimetallic
- | Thermostatic
- | Thermodynamic



## Failing steam traps should be replaced immediately

A leaking steam trap causes significant energy loss and wasteful CO<sub>2</sub> emissions. It takes less than a year for a replacement to pay for itself.

Blocked steam traps prevent the steam system from discharging condensate which can cause operational and safety problems.

## YOU'LL LOVE WORKING WITH ARMSTRONG!

Armstrong is here to solve your problems and make your life easier. We become an integral part of your team, consistently delivering on our promises and exceeding your expectations, while remaining transparent and easy to do business with. We want working with us to be an experience you enjoy, every single time.



» Quality & know-how  
» Cost savings (TCO)

» Emission reduction  
» Proven solutions

» E-business OCI / webshop  
» Dedicated specialists



---

**KLINGER BV**

Hoofdvesting

Nikkelstraat 2-4, 3067 GR Rotterdam

Postbus 8504, 3009 AM Rotterdam

T +31 (0)10 455 75 55  
info@klinger.nl

**KLINGER SERVICE CENTER LIMBURG**

Business Park Stein 208A, 6181 MB Elsloo

T +31 (0)46 7600 600  
limburg@klinger.nl

**“KLINGER for safety,  
services & solutions”**

[www.klinger.nl](http://www.klinger.nl)